

dur-TRONIC M



dur-TRONIC M

THE EFFICIENT BUILDING CONTROL

Building controls from durlum provide the right programme for any situation. The dur-TRONIC M control system from durlum combines DALI and DMX in a low-cost system. It is most adequate for projects of medium complexity, dur-TRONIC allows DALI information such as buttons or sensors to be read in without the need for converters and to be used for controlling DALI and DMX.

Control is not limited to light. Any digitally controlled building part can be integrated into the system. Thus, for example, blinds or light pipes can be opened or closed automatically depending on the sun's position.

Convenient regulation is also possible via tablet or smartphone and includes individual activation or selection of pre-programmed scenarios.

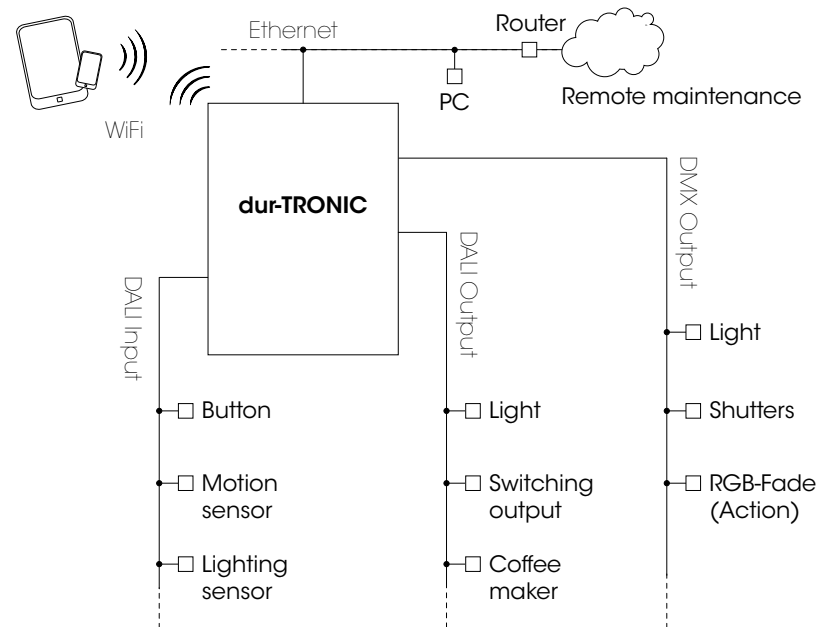
TECHNICAL DATA

DUR-TRONIC M | BUILDING CONTROL

Input: DALI-button, DALI-sensor, time switch, user-interface

Control: PC, smartphone, tablet, browserinterface. Network capable

Output: DMX, DALI, switching output for relays



durlum GmbH
An der Wiese 5
D-79650 Schopfheim

T +49 (0) 76 22 | 39 05-0
F +49 (0) 76 22 | 39 05-42
E info@durlum.com
I www.durlum.com

