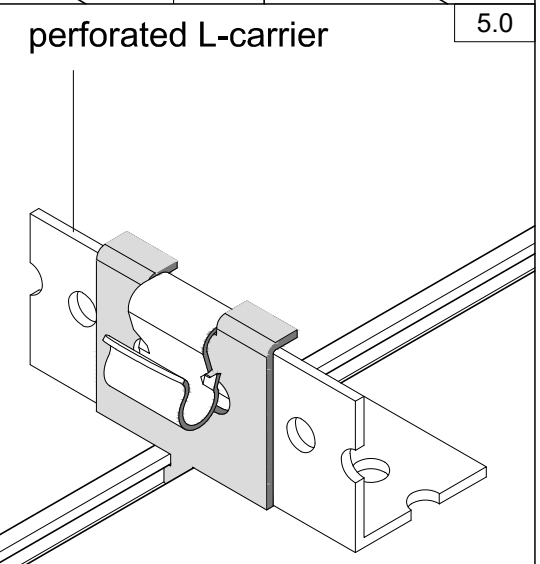
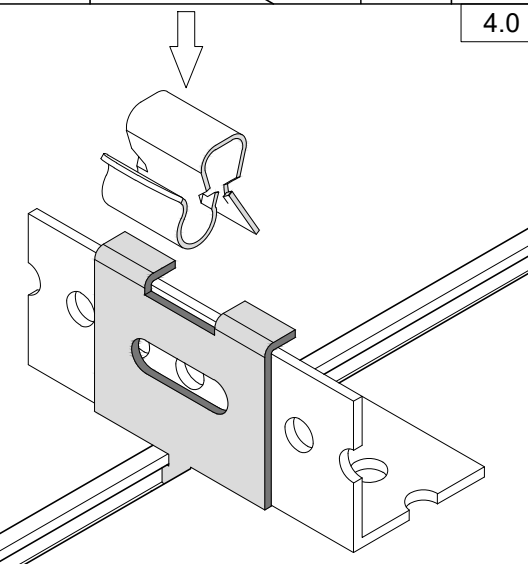
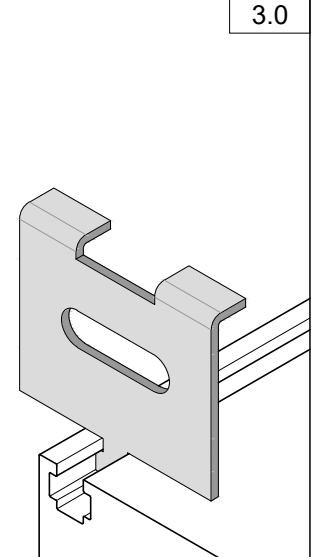
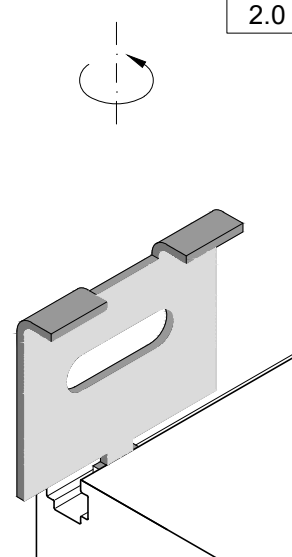
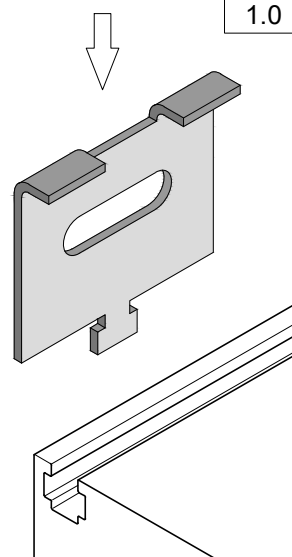
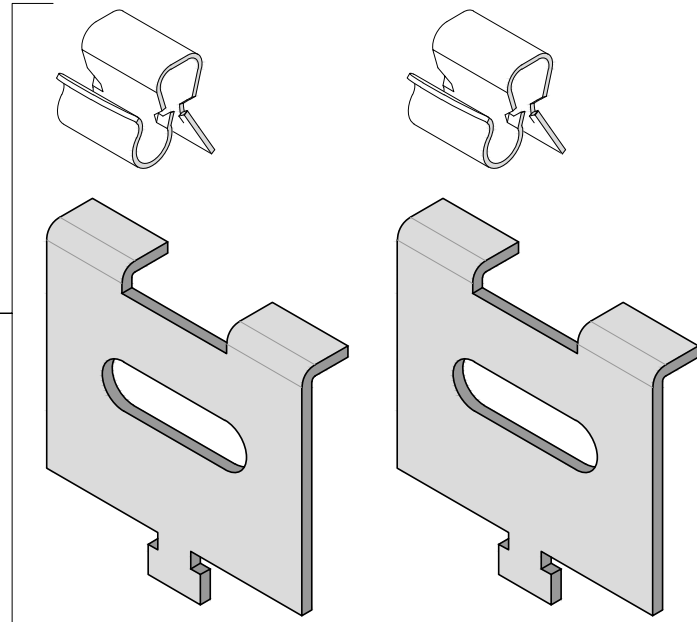
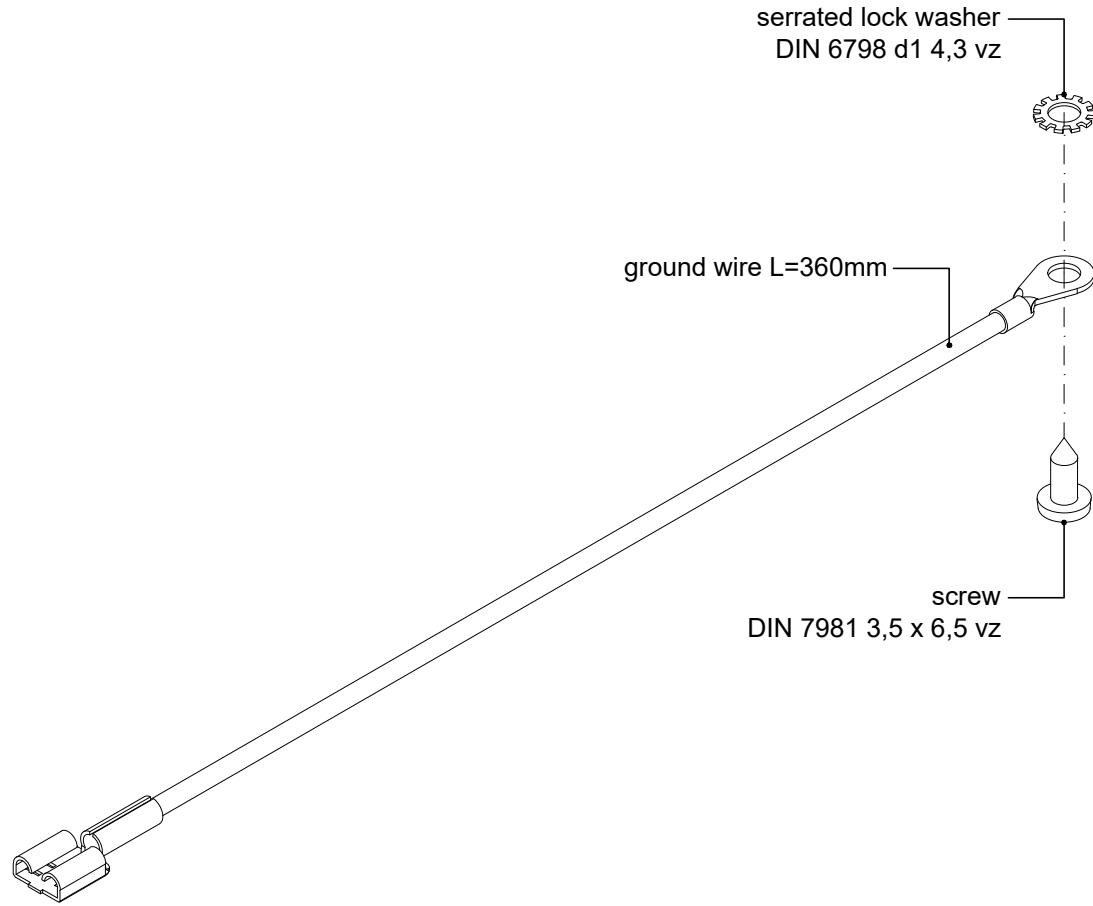


Suspending
braket to
perforated
L-carrier

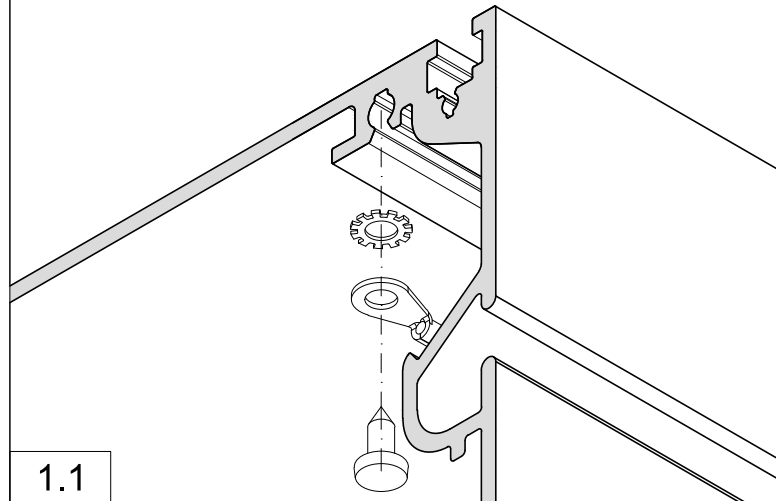


0.0

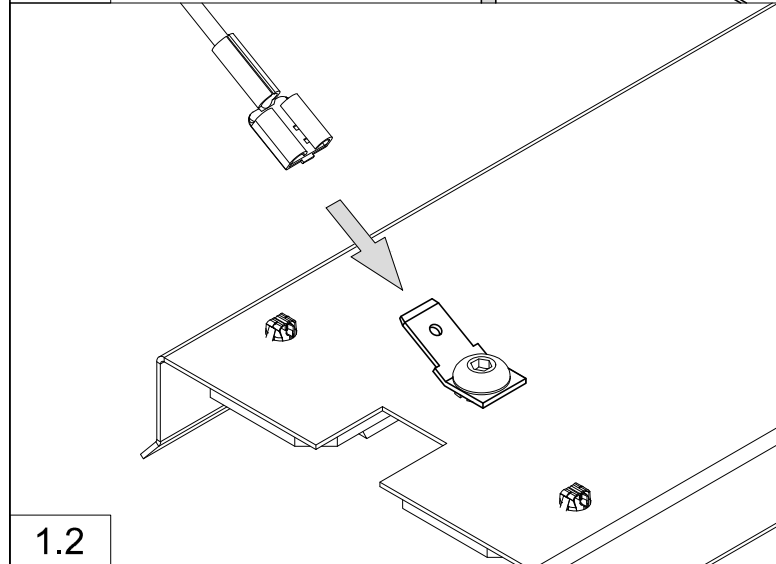
This drawing is passed on with all rights reserved to **durlum**, and must ONLY be used for common purpose projects.
Transmission to third parties especially to competitors is prohibited! **durlum** GmbH, Schopfheim, Germany
All technical modifications to be reserved.



0.0

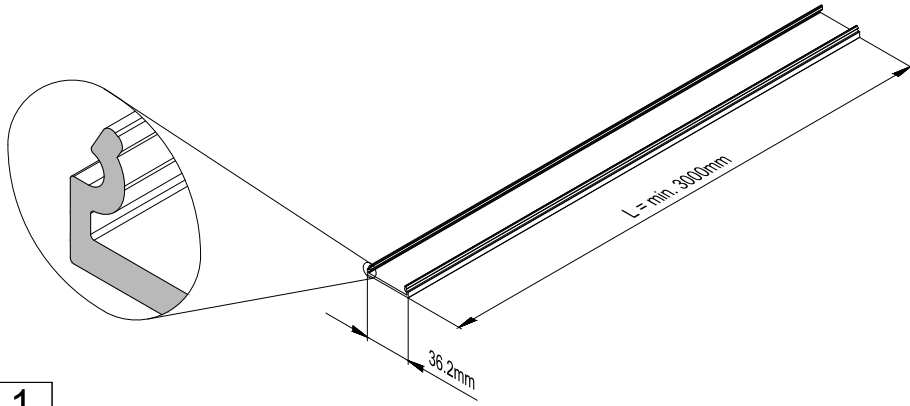


1.1

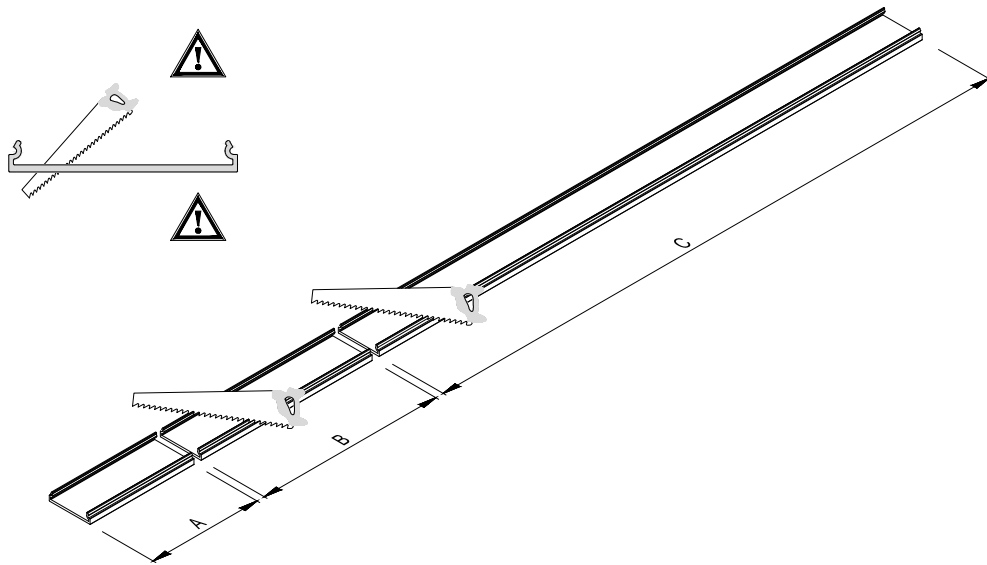


1.2

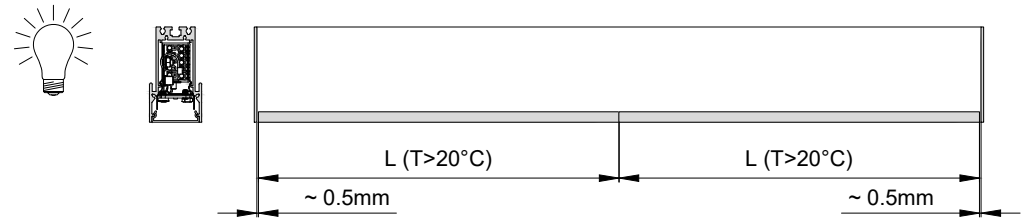
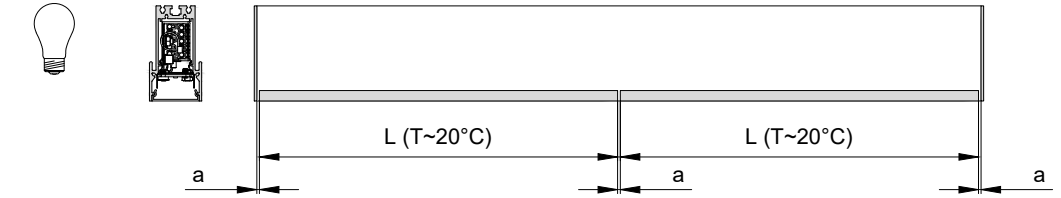
This drawing is passed on with all rights reserved to **durlum**, and must ONLY be used for common purpose projects.
Transmission to third parties especially to competitors is prohibited! **durlum** GmbH, Schopfheim, Germany
All technical modifications to be reserved.



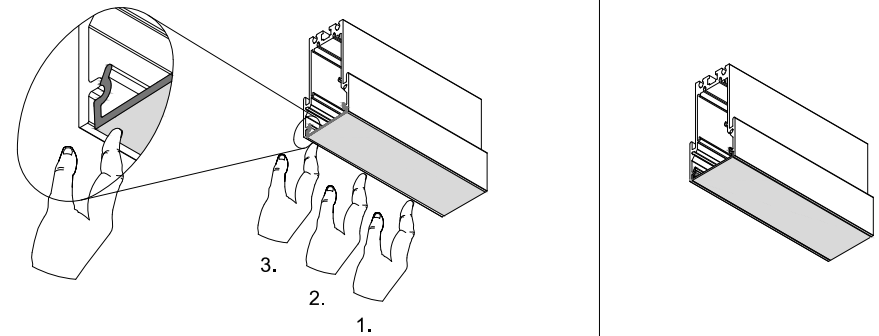
1



2a

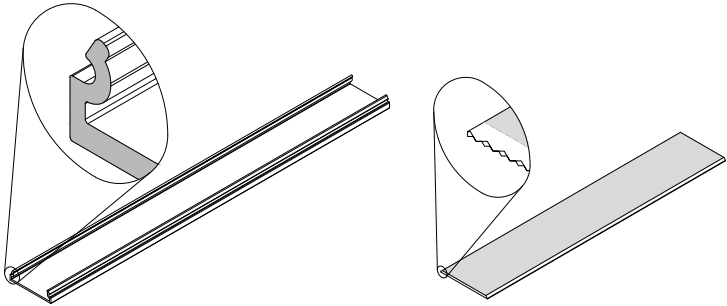


2b

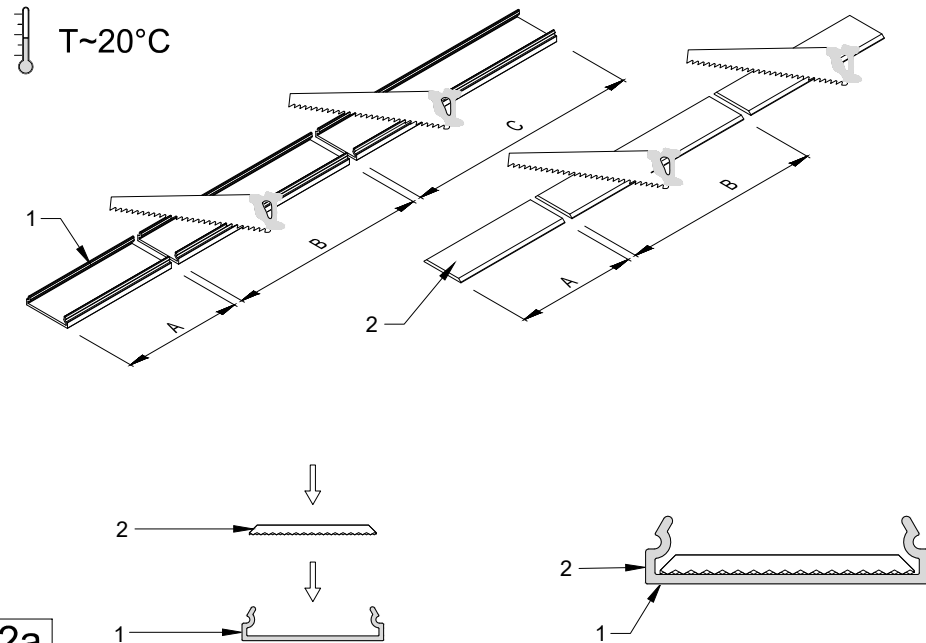


3

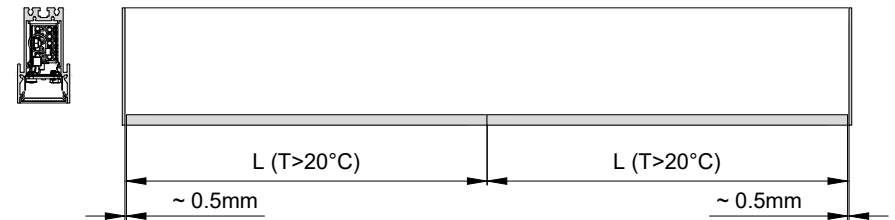
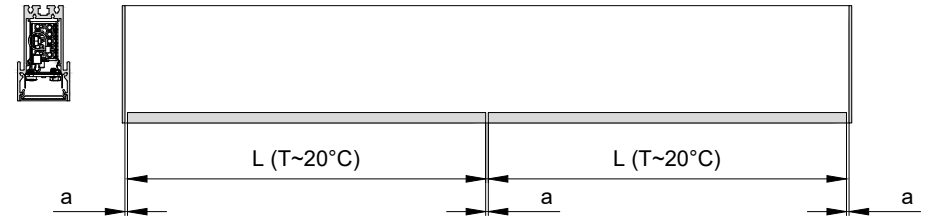
This drawing is passed on with all rights reserved to **durlum**, and must ONLY be used for common purpose projects.
Transmission to third parties especially to competitors is prohibited! **durlum** GmbH, Schopfheim, Germany
All technical modifications to be reserved.



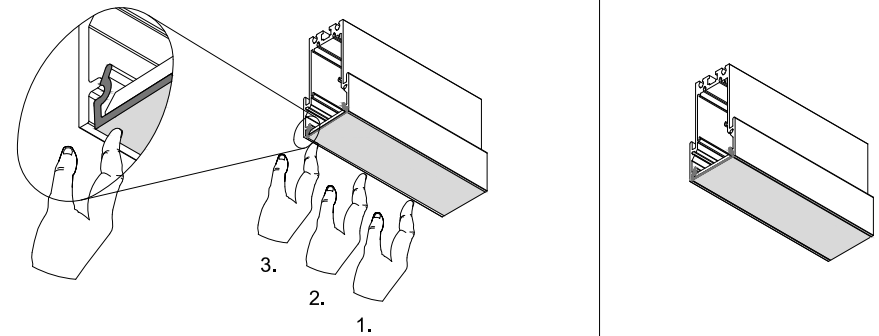
1



2a

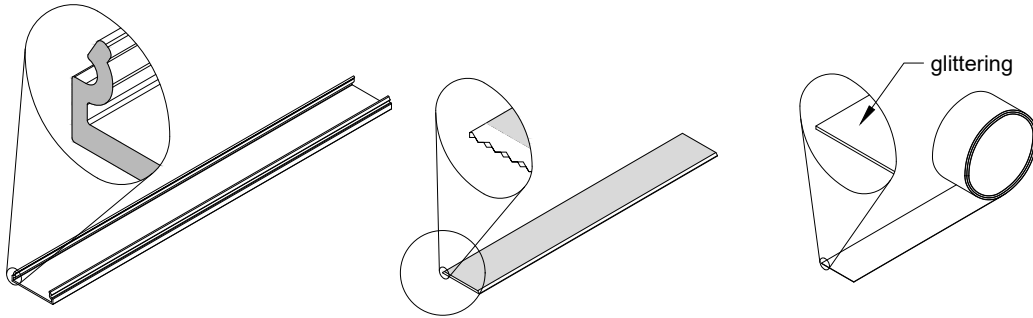


2b

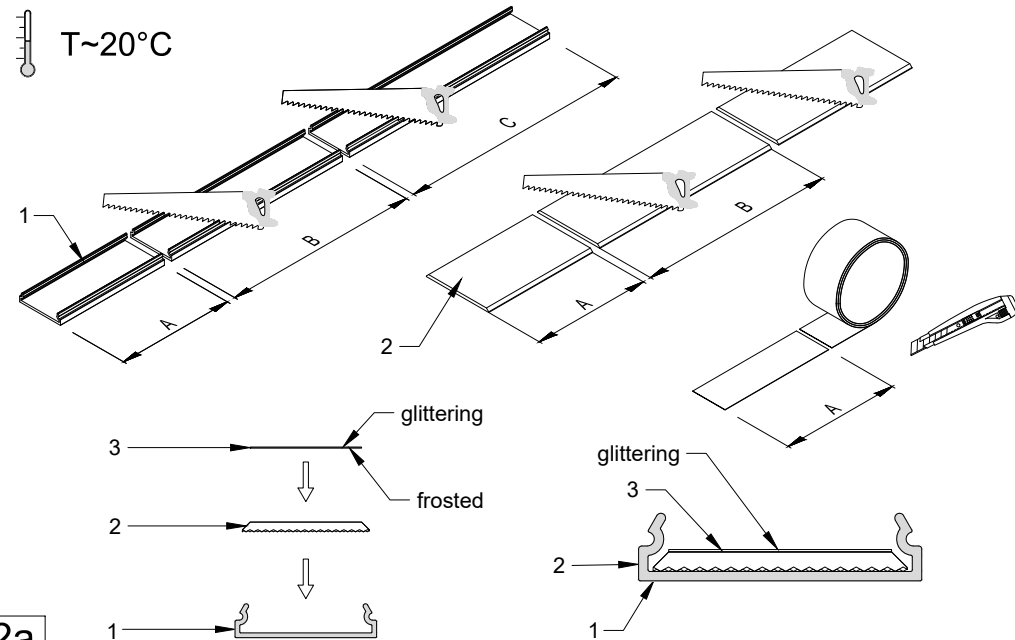


3

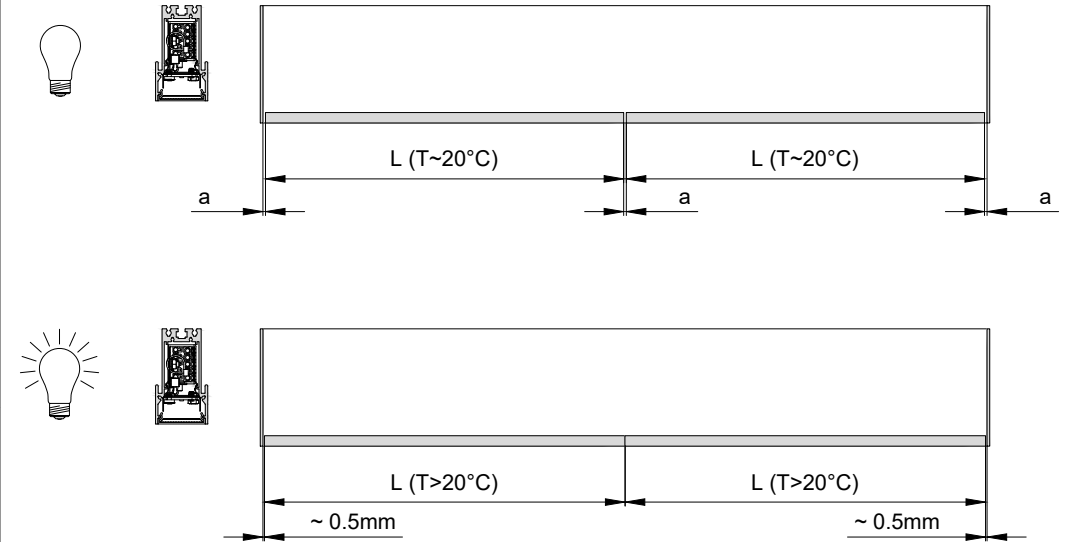
This drawing is passed on with all rights reserved to **durlum**, and must ONLY be used for common purpose projects.
Transmission to third parties especially to competitors is prohibited! **durlum** GmbH, Schopfheim, Germany
All technical modifications to be reserved.



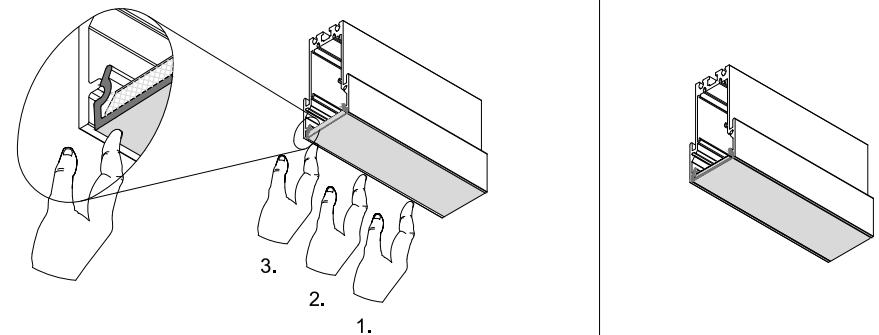
1



2a

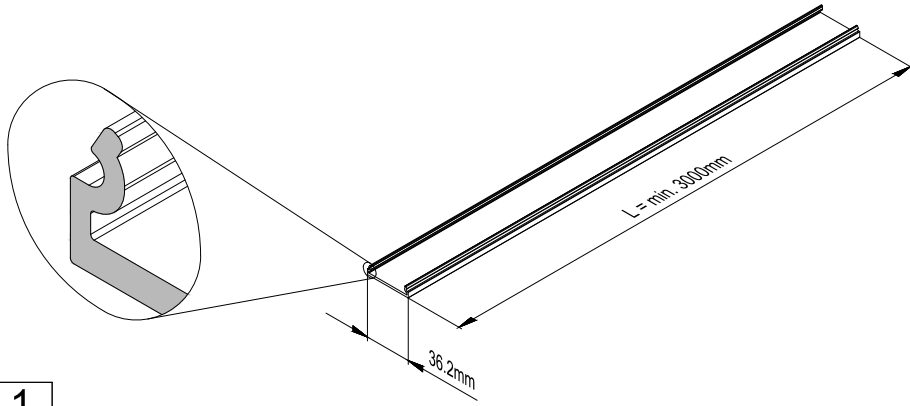


2b

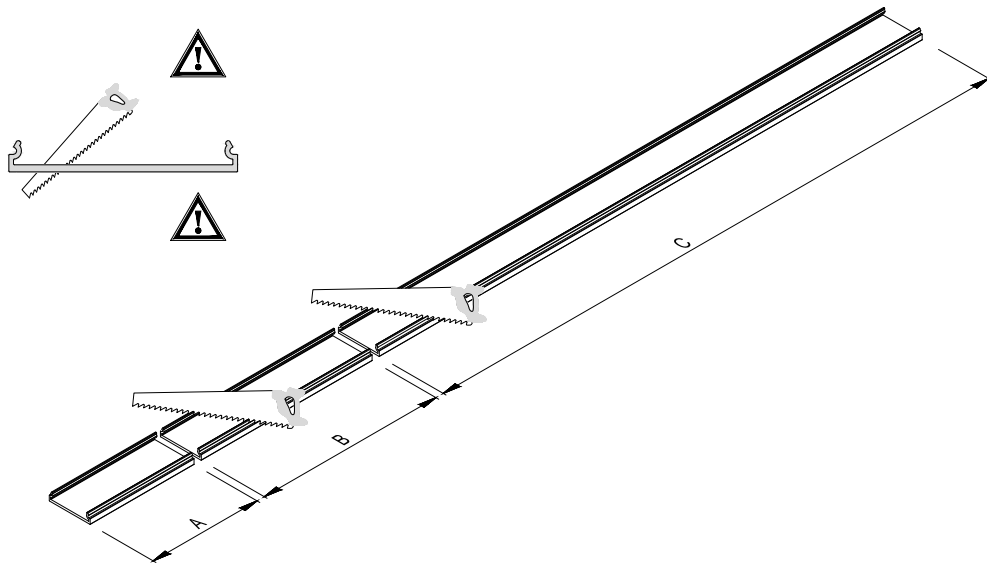


3

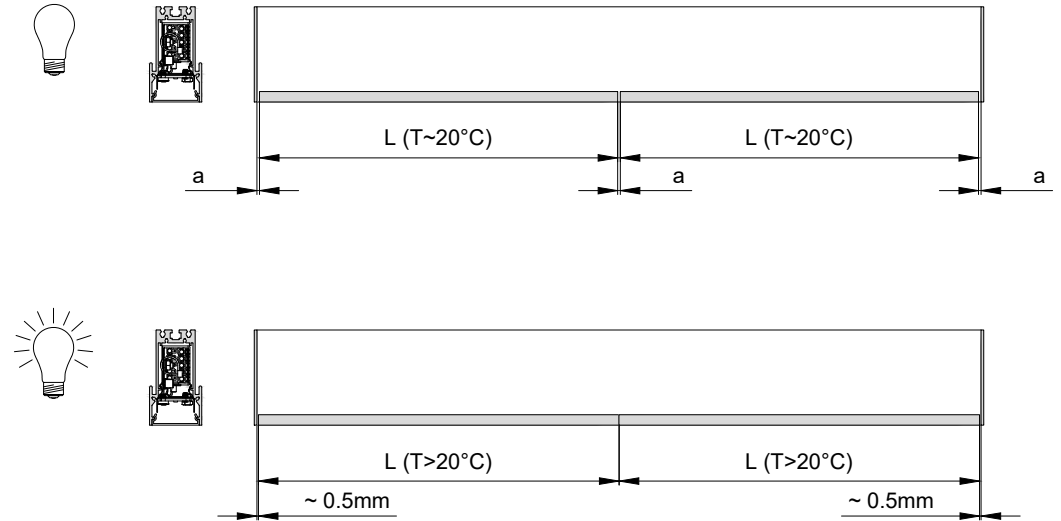
This drawing is passed on with all rights reserved to **durlum**, and must ONLY be used for common purpose projects.
Transmission to third parties especially to competitors is prohibited! **durlum** GmbH, Schopfheim, Germany
All technical modifications to be reserved.



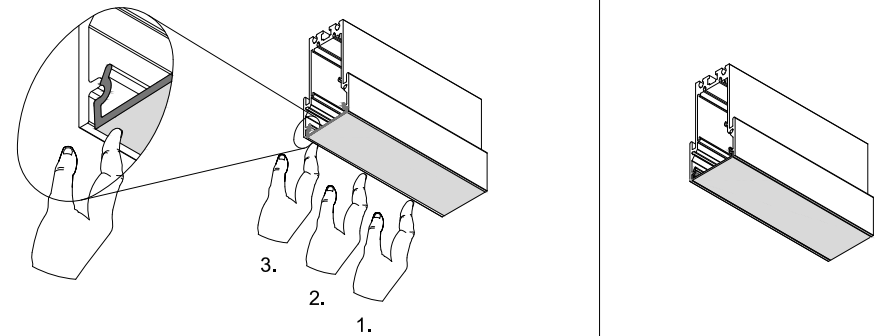
1



2a




2b

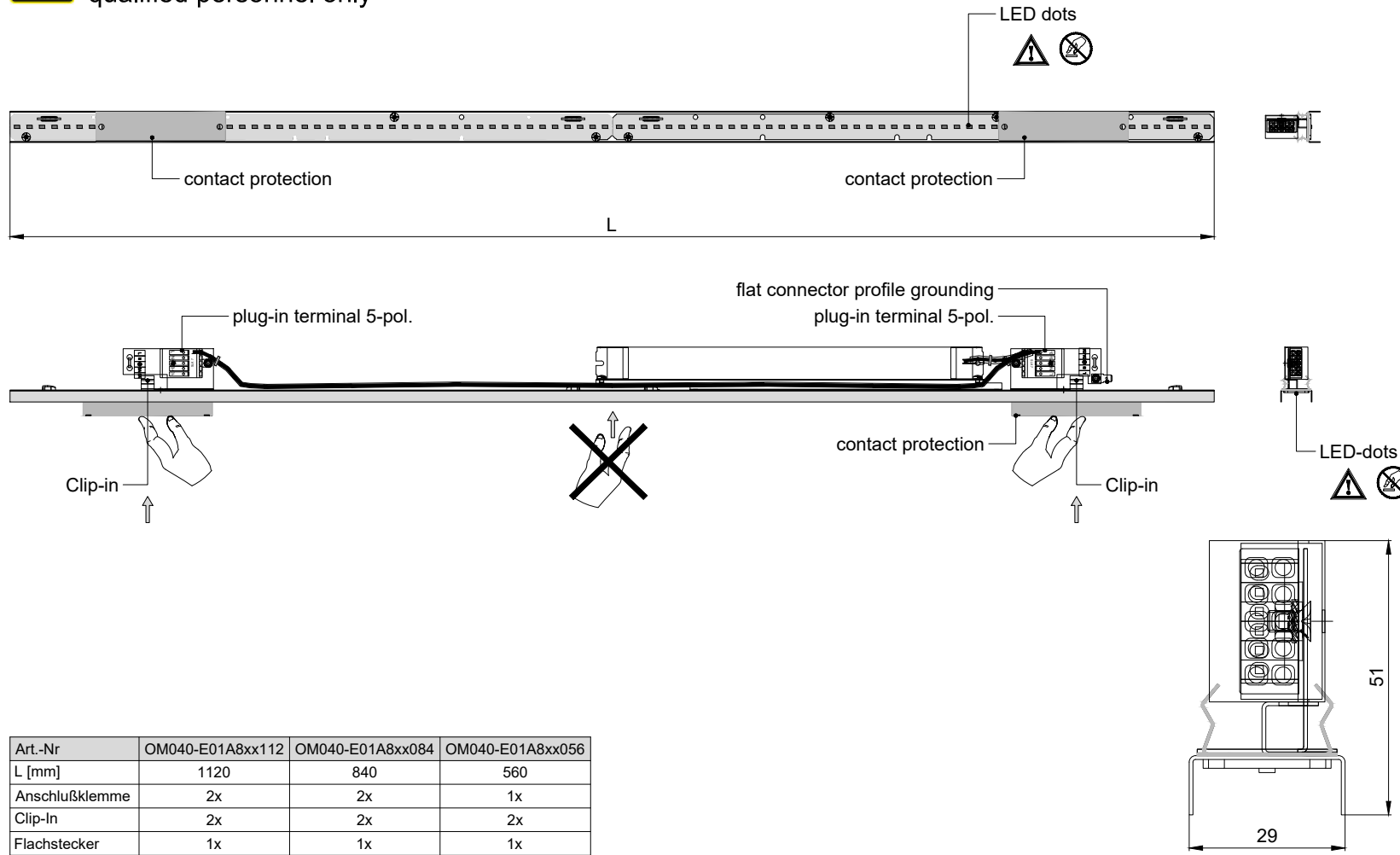


3

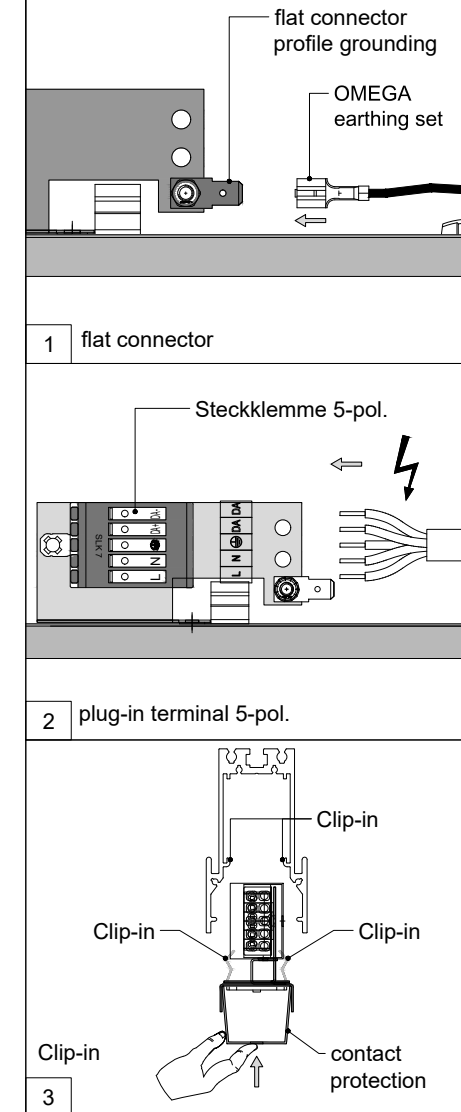
This drawing is passed on with all rights reserved to **durlum**, and must ONLY be used for common purpose projects.
Transmission to third parties especially to competitors is prohibited! **durlum** GmbH, Schopfheim, Germany
All technical modifications to be reserved.

OM40 LED luminaire insert

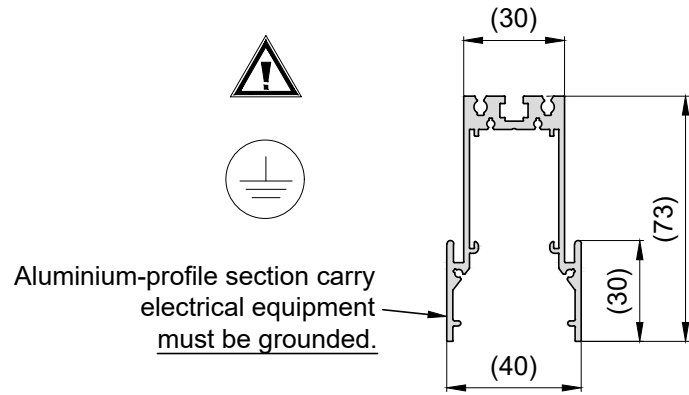
 the electrical installation by qualified personnel only



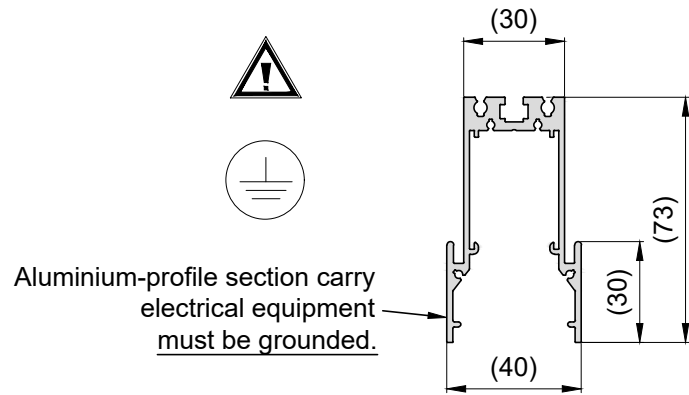
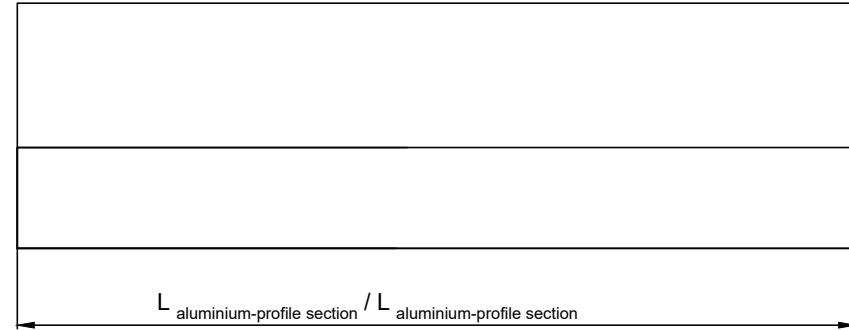
Art.-Nr	OM040-E01A8xx112	OM040-E01A8xx084	OM040-E01A8xx056
L [mm]	1120	840	560
Anschlußklemme	2x	2x	1x
Clip-In	2x	2x	2x
Flachstecker	1x	1x	1x



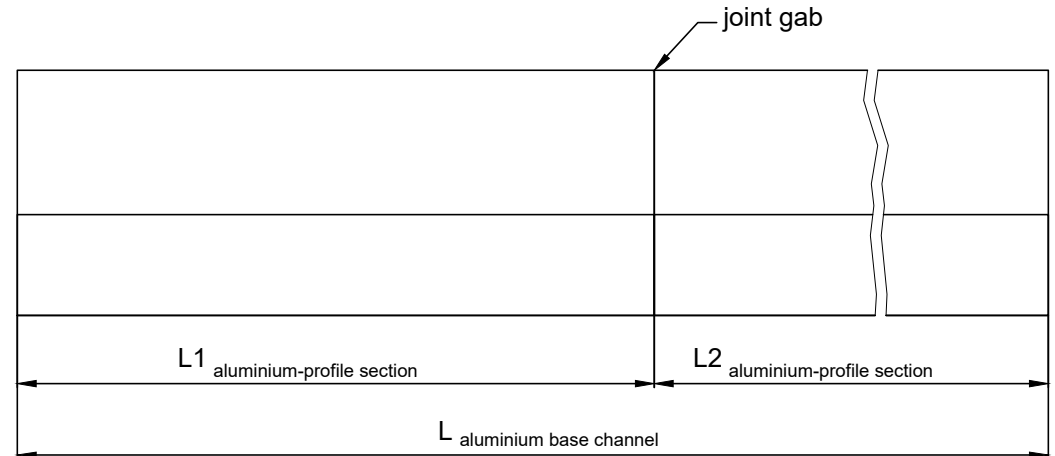
This drawing is passed on with all rights reserved to **durlum**, and must ONLY be used for common purpose projects.
Transmission to third parties especially to competitors is prohibited! **durlum** GmbH, Schopfheim, Germany
All technical modifications to be reserved.



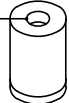
Aluminium base channel must be grounded.

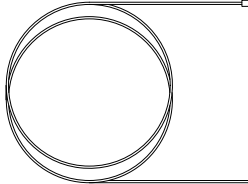


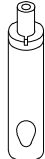
Aluminium base channel must be grounded.





This drawing is passed on with all rights reserved to **durlum**, and must ONLY be used for common purpose projects.
Transmission to third parties especially to competitors is prohibited! **durlum** GmbH, Schopfheim, Germany
All technical modification to be reserved.

- 

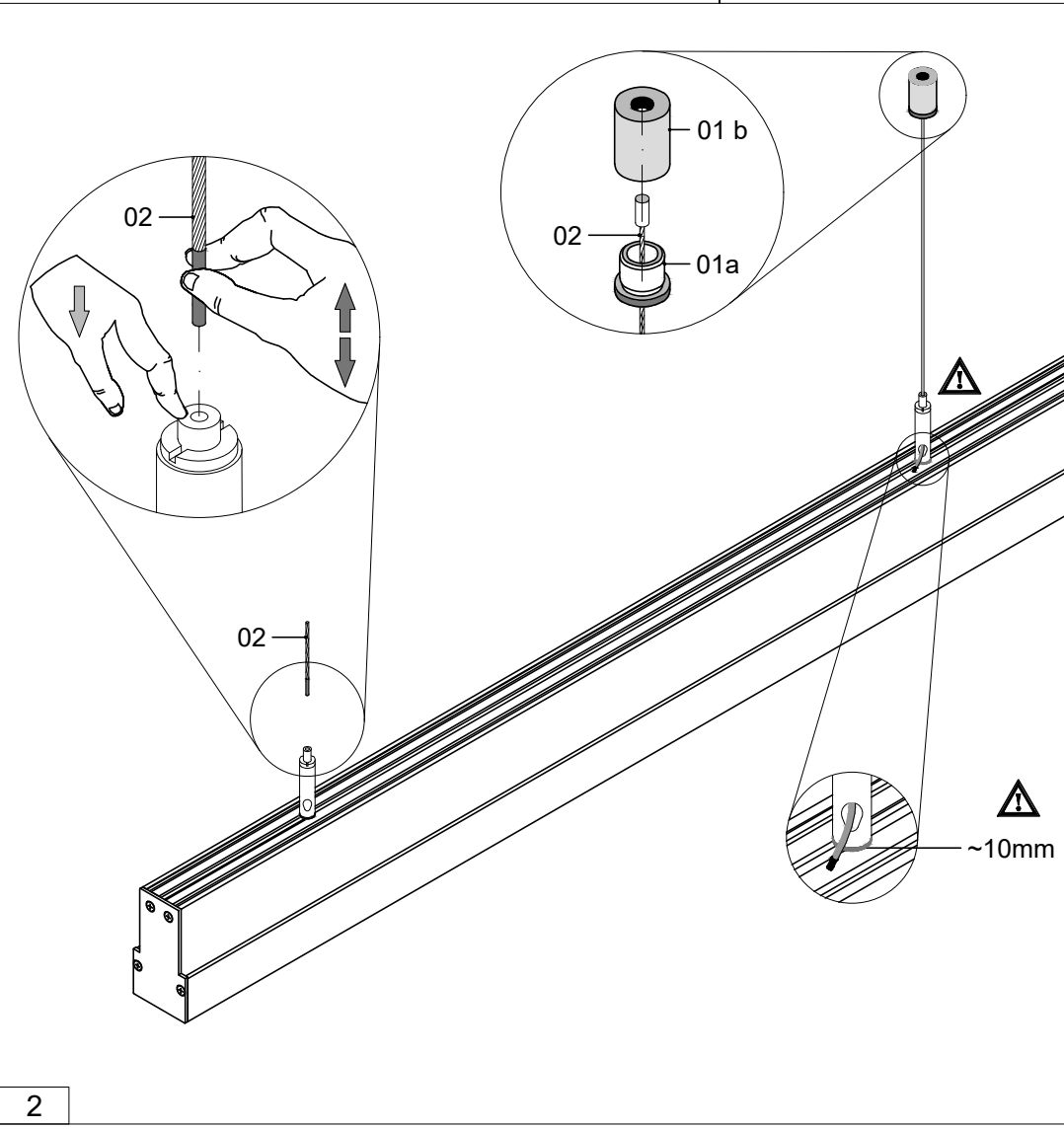
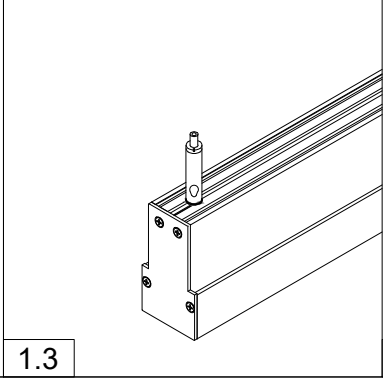
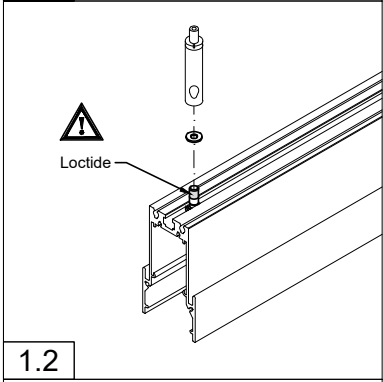
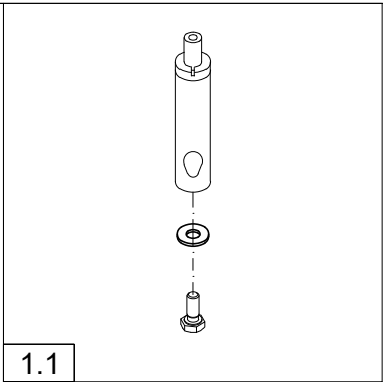
Ø6.5 — b — a — 01 ceiling attachment OK4-EA (1x)
- 

02 cable L=1000mm OK3-1000 1x
- 

03 ceiling attachment OK3-C-E1 1x
- 

04 washer DIN125 d5.3 vz 1x
- 

05 screw DIN933 M5x10 vz 1x

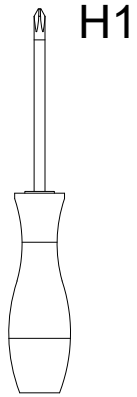


0

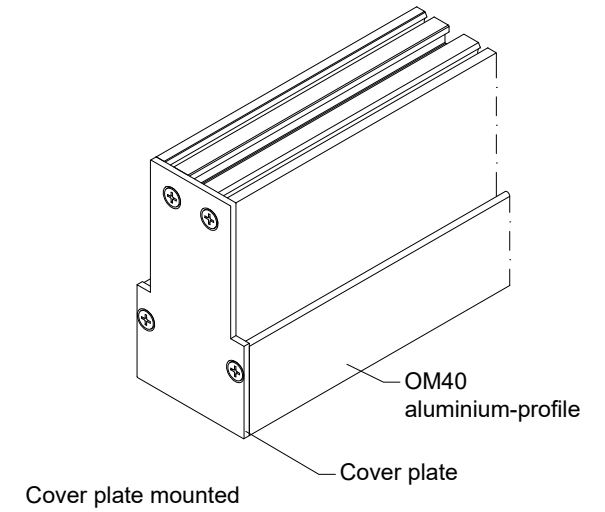
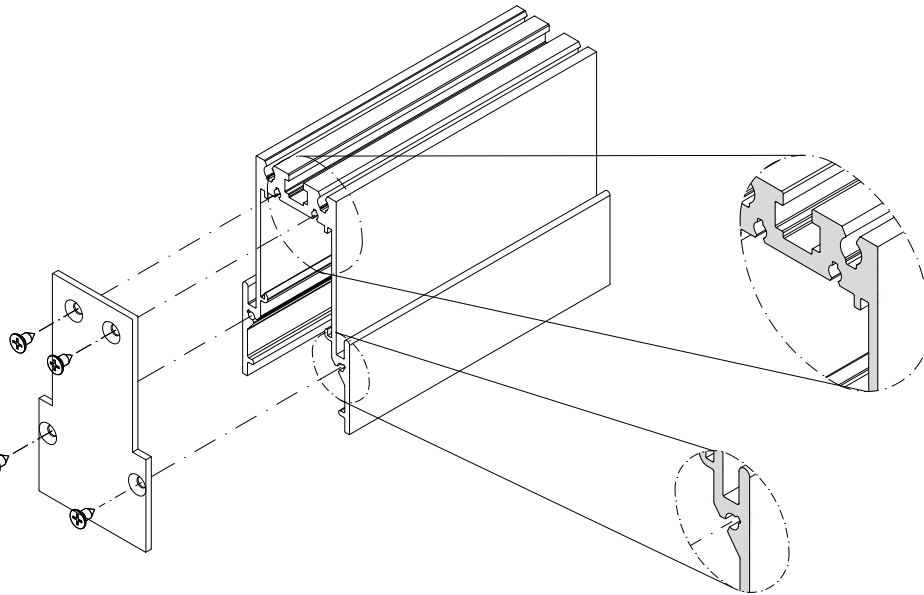
1.3

2

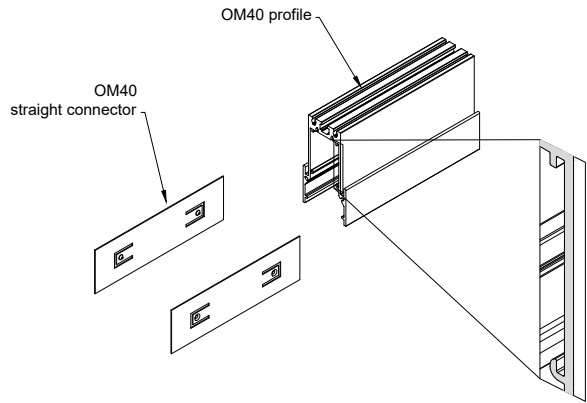
This drawing is passed on with all rights reserved to **durlum**, and must ONLY be used for common purpose projects. Transmission to third parties especially to competitors is prohibited! **durlum** GmbH, Schopfheim, Germany
All technical modifications to be reserved.



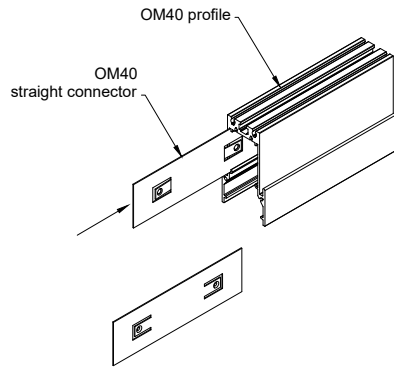
countersunk head screw
DIN7982 ST 2.9x6.5



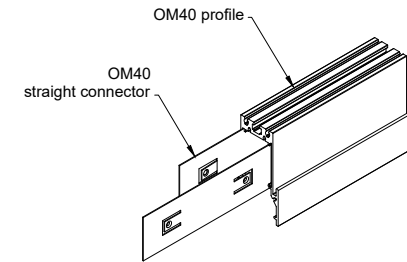
This drawing is passed on with all rights reserved to **durlum**, and must ONLY be used for common purpose projects.
Transmission to third parties especially to competitors is prohibited! **durlum** GmbH, Schopfheim, Germany
All technical modifications to be reserved.



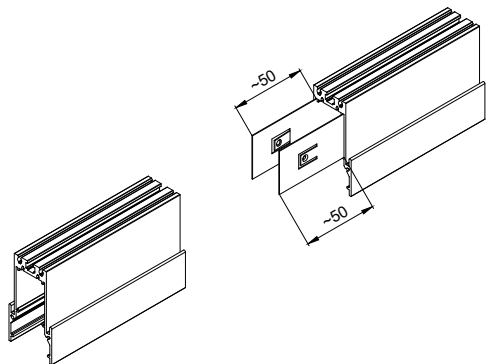
1



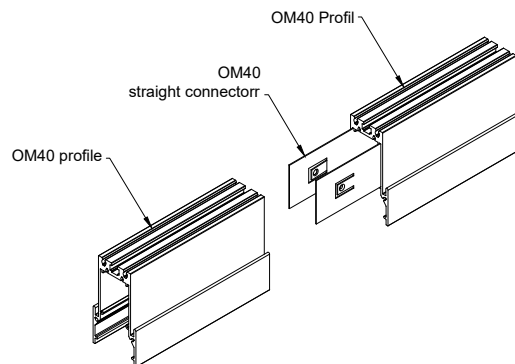
2



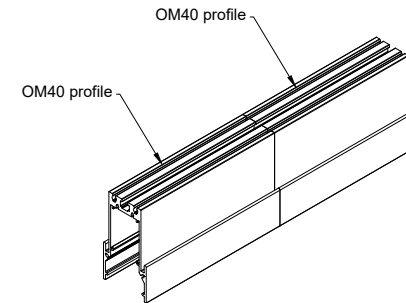
3



4

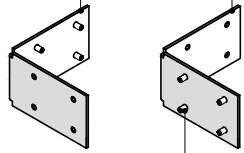


5



This drawing is passed on with all rights reserved to **durlum**, and must ONLY be used for common purpose projects.
Transmission to third parties especially to competitors is prohibited! **durlum** GmbH, Schopfheim, Germany
All technical modifications to be reserved

Corner connector 90°

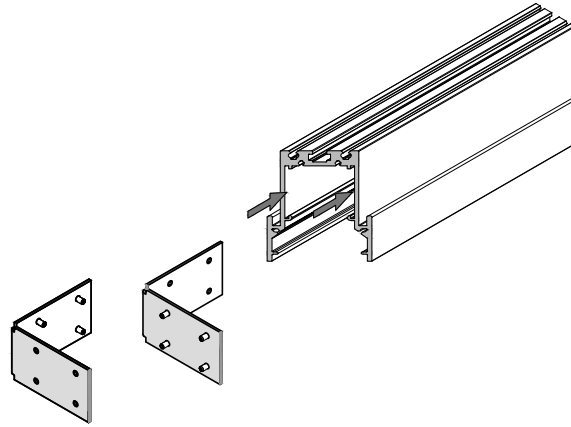


setscrew
DIN916 M4x6vz

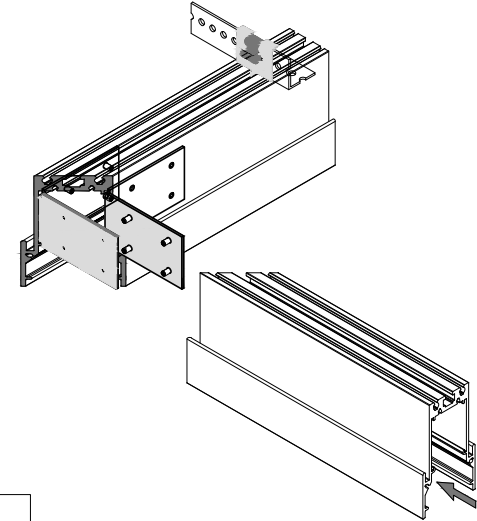
0

dim. [l x w x s] mm: 60 x 34.5 x 1.25

1

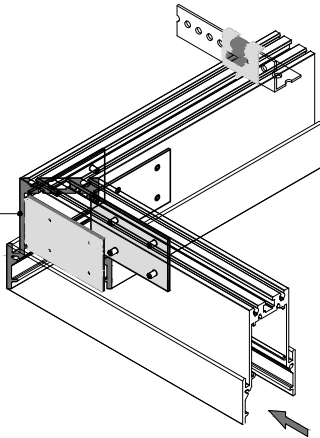


2



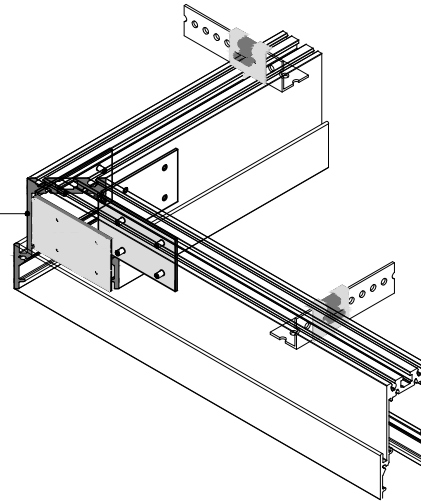
3

joint gap



4

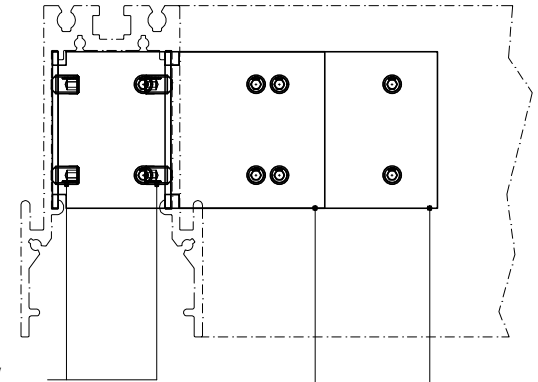
joint gap



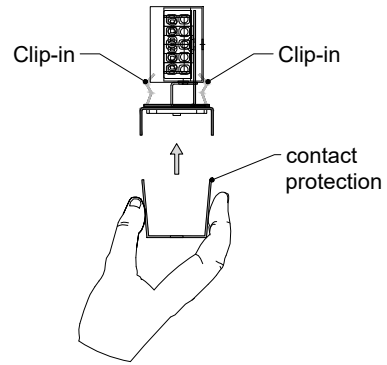
5

setscrew
DIN916 M4x6vz

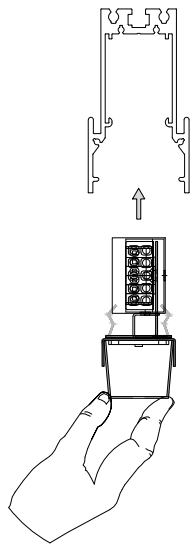
Corner connector 90°
Corner connector 90°



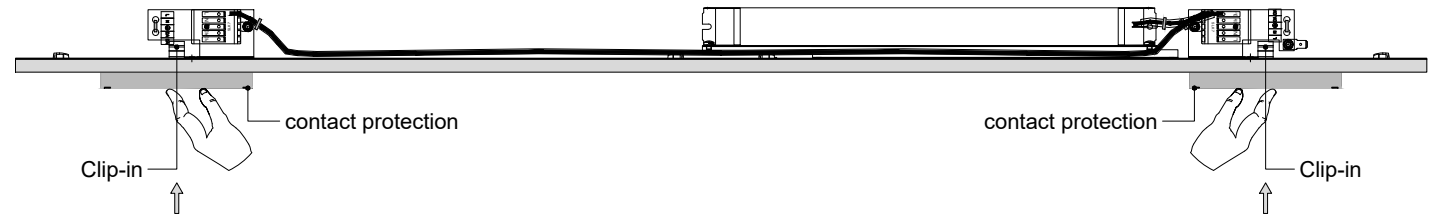
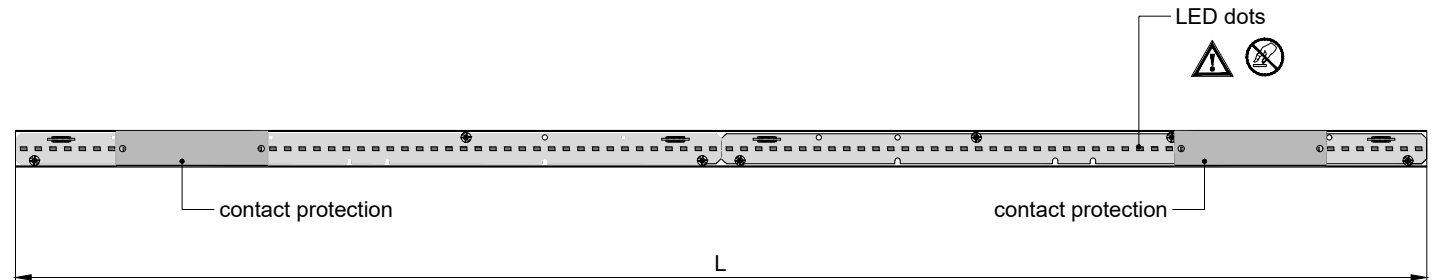
This drawing is passed on with all rights reserved to **durlum**, and must ONLY be used for common purpose projects.
Transmission to third parties especially to competitors is prohibited! **durlum** GmbH, Schopfheim, Germany
All technical modifications to be reserved.



1.0



2.0



2.1

This drawing is passed on with all rights reserved to **durlum**, and must ONLY be used for common purpose projects.
Transmission to third parties especially to competitors is prohibited! **durlum** GmbH, Schopfheim, Germany
All technical modifications to be reserved.