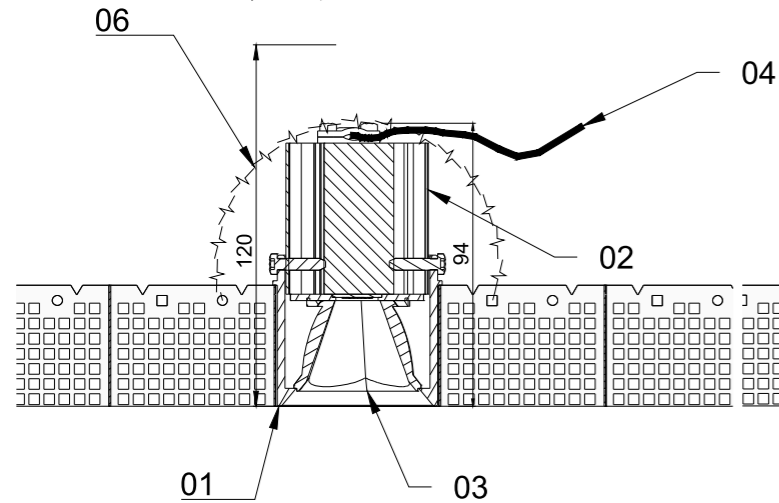
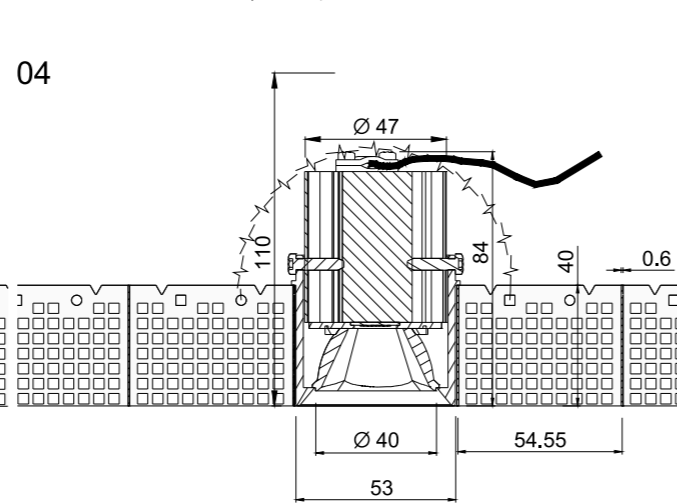


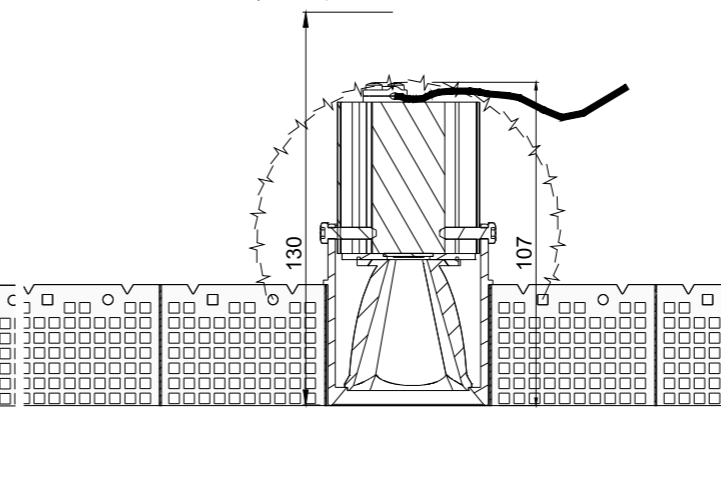
Cut view
PUNTEO-J060 - S10 | LVK | Index "a" - 2 x 35°



Cut view
PUNTEO-J060 - S10 | LVK | Index "b" - 2 x 45°



Cut view
PUNTEO-J060 - S10 | LVK | Index "c" - 2 x 25°



PUNTEO®-J060 - S10

PUNKT | TICELL 54.55H40

PUNTEO®-J060 - built in downlight - System S10 for tool-free integration in durlum open cell ceiling
Cell size x height: 54,55 x 40 mm | t = 0,6 mm
Larger cell sizes require a module adapter

Light distribution [please select option] :

- a - 2 x 35° | normal beam | LOR 91 %
- b - 2 x 45° | wide beam | LOR 94 %
- c - 2 x 25° | narrow beam | LOR 82 %
- d - asym | asym. beam | LOR 85 %

LED [please select option] :

- 01 - 2.700 K / 5.000 K | 12,5 W | 1.169/1.401 lm | CRI > 90
- 02 - 4.000 K | 12 W | 1.644 lm | CRI > 90
- 03 - 3.000 K | 12 W | 1.536 lm | CRI > 90
- 04 - 2.700 K | 12 W | 1.486 lm | CRI > 90

Surface [please select option] :

- A - white - RAL 9010, matt
- B - white - RAL 9016, matt
- C - Aluminium anodised
- D - black matt, anodised (standard)

Dimension L x B x H : 53 x 53 x 84 / 94 / 107 mm
Installation height : 110 / 120 / 130 mm

Protection class: III [light fitting without LED driver]
Protection system: IP 20

Life Time: Average L80 [Ta 25 °C] > 50.000 h

Electrical connection:
Cable 2-pin - L = 0,4 m - to connect with separate LED driver unit [not included]

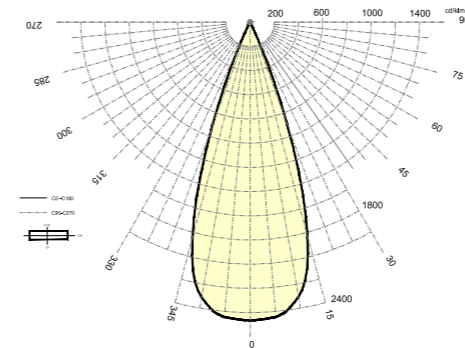
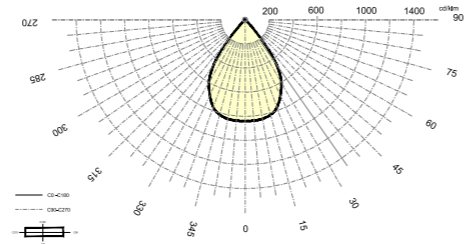
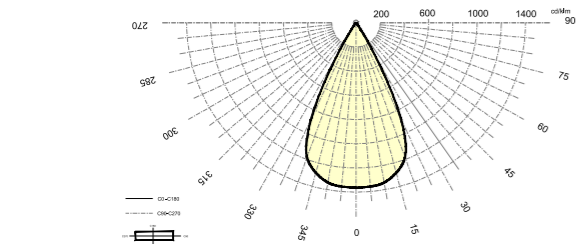
Note:
LED driver unit and mounting accessories must be ordered separately.

Order number for example:

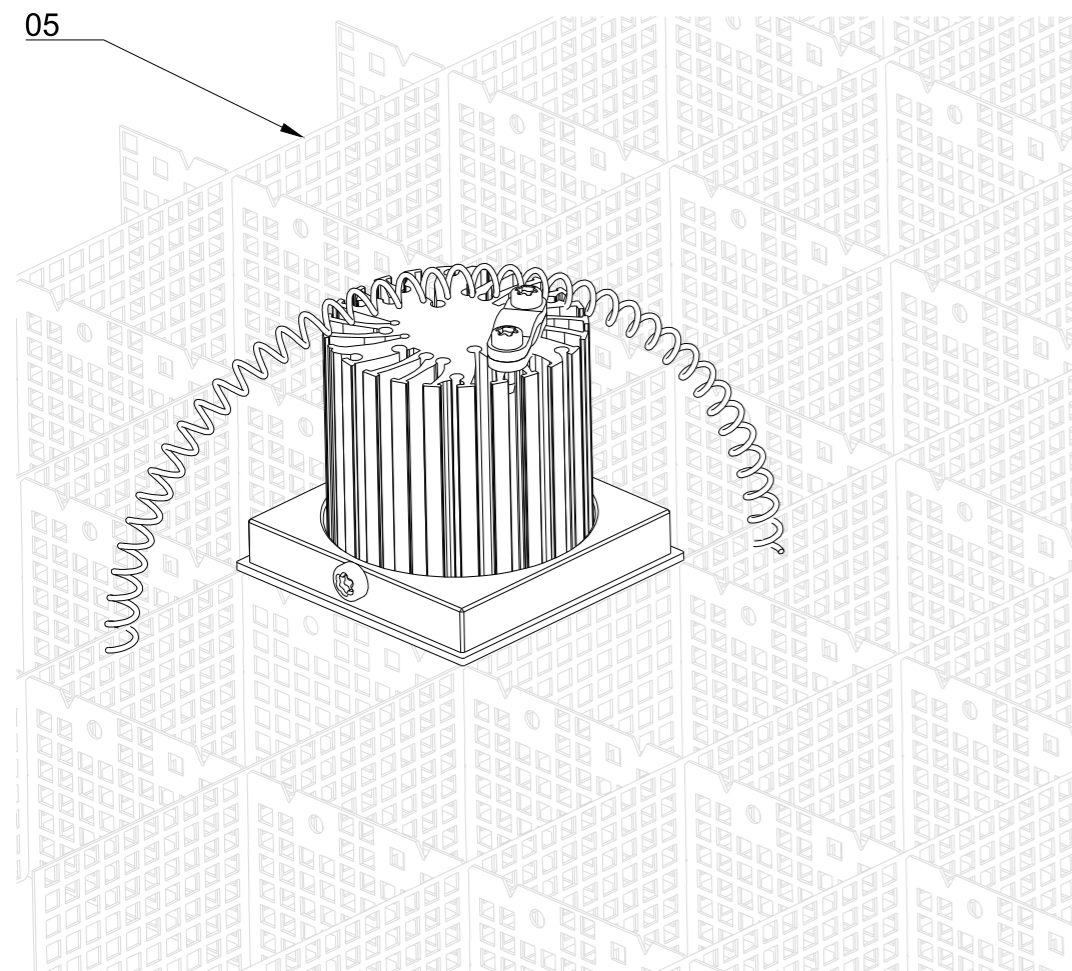
5-PUN J 060 S10a 01 A

- 5-PUN J - order group for Punteo J
- 060 - Light emitting surface in Ø
- S10 - System 10 [incl. Adapter] for integration in TICELL open cell ceiling
- a - light distribution - 2 x 35°
- 01 - light colour 2.700 K / 5.000 K | CRI 90
- D - antiglare tube - black

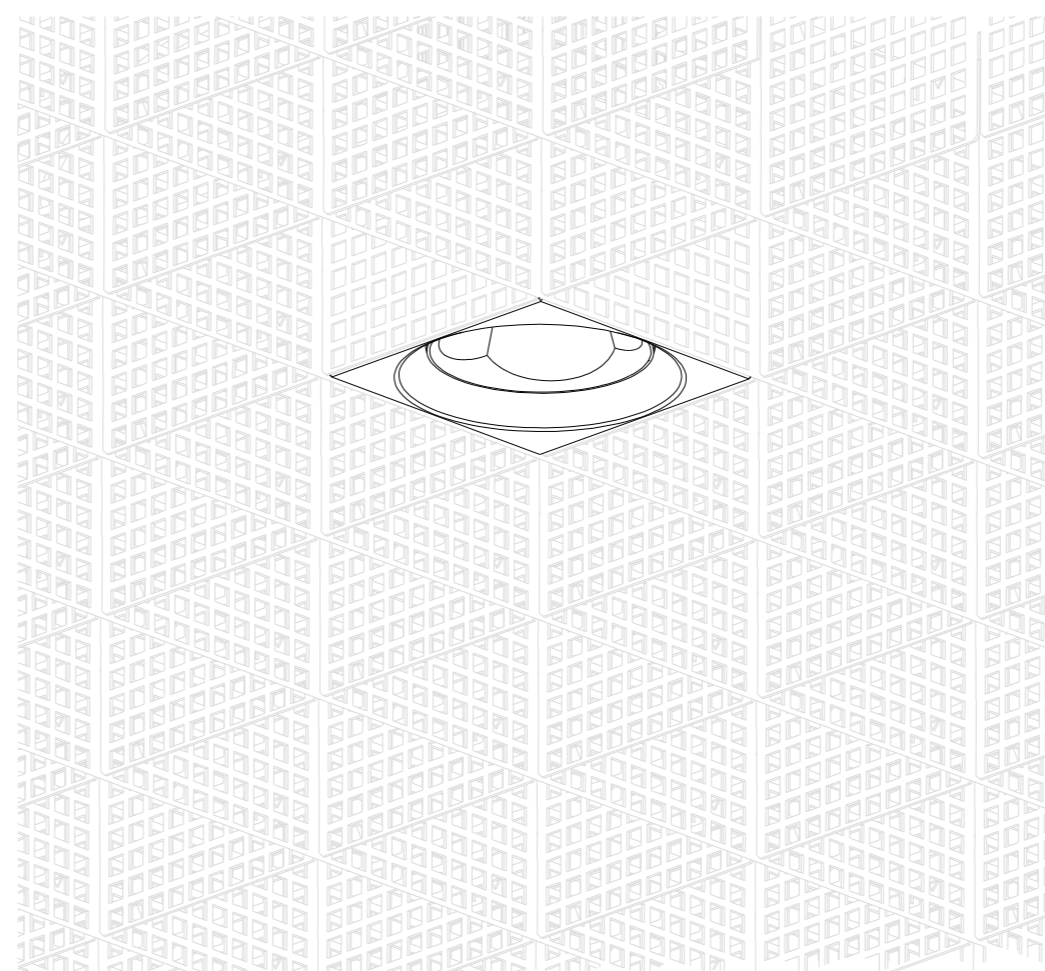
01	Housing - Antiglare tube
02	Heatsink
03	Reflector - faceted
04	Cable - L = 0,4 m with free cable end
05	Open cell ceiling TICELL 54.55H40
06	Mounting spring
07	...
08	...



3D view
PUNTEO-J060 - S10 in TICELL 54.55H40



3D view
PUNTEO-J060 - S10 in TICELL 54.55H40



This drawing is passed on with all rights reserved to **durlum**, and must ONLY be used for common purpose projects. Transmission to third parties especially competitors is prohibited! **durlum** GmbH, Schopfheim, Germany

Please refer to the general instructions for the operation

Approved		DIN ISO 9001 <small>Zertifiziertes Qualitätsmanagementsystem Reg.-Nr.: 70 100 M 851</small>	PUNTEO-J060 - S10 Integration in open cell ceiling durlum technical documents	
Date	Name			
05.05.2025	MeE	PUNTEO-J060 - S10_2025-05	durlum GmbH 79650 Schopfheim Germany Tel. 0049 7622 39050 Email info@durlum.de	