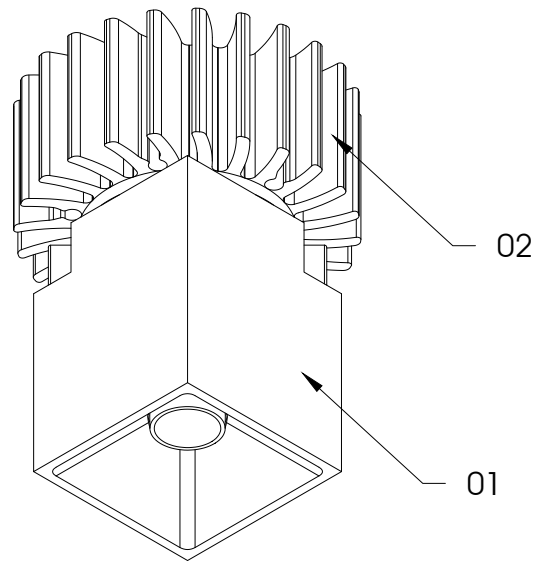
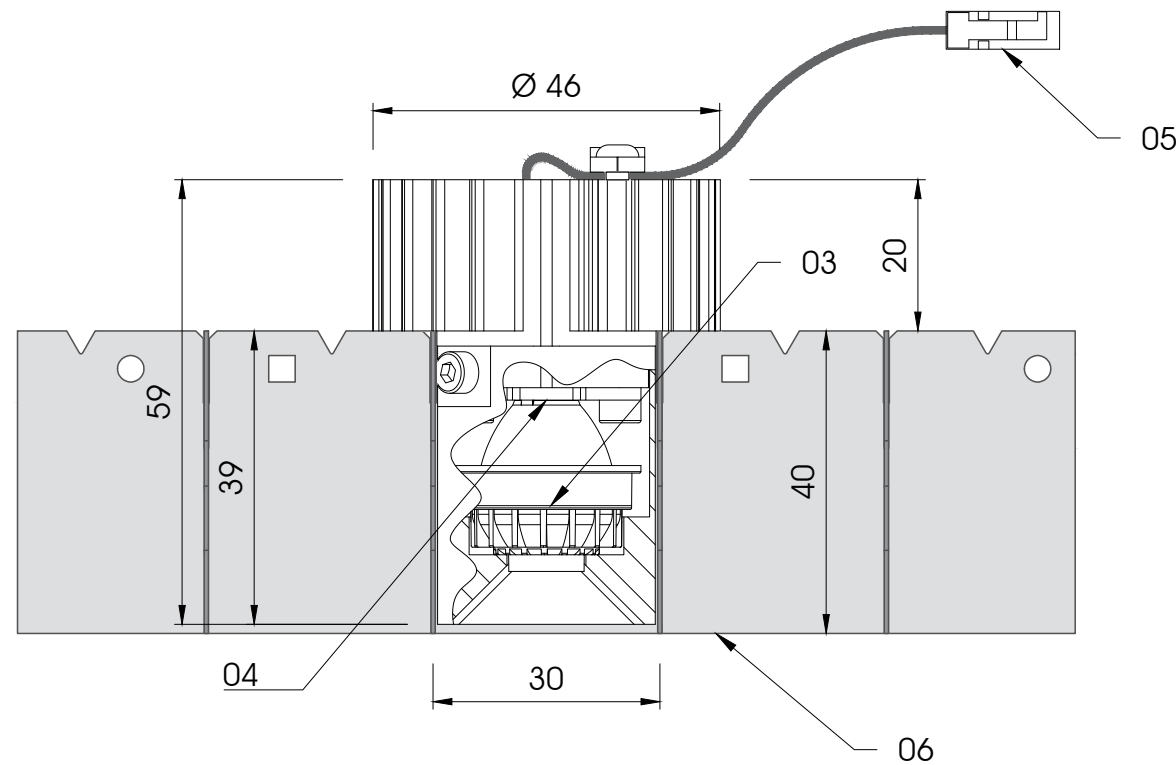


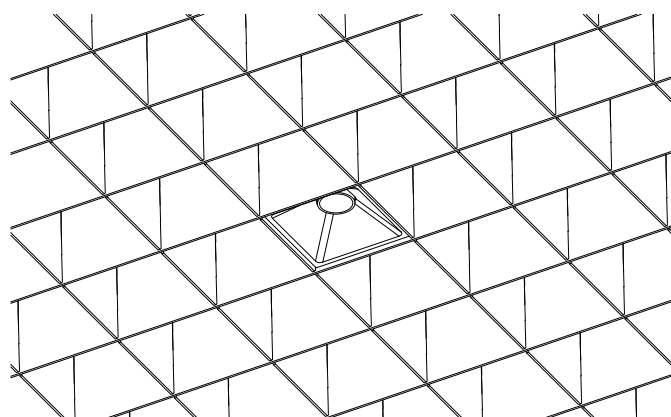
3D view [M 1:1]
PUNTEO N 1x1



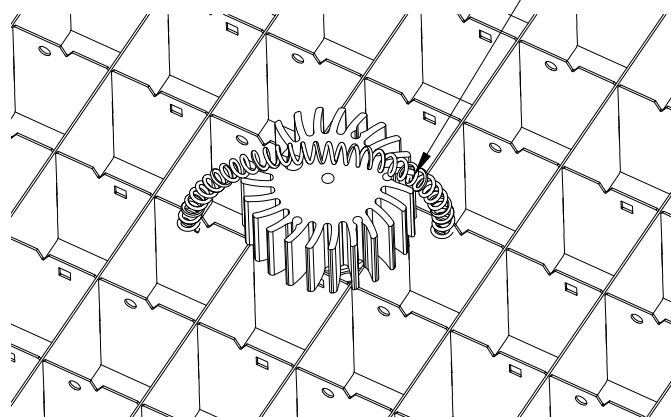
Front view [M 1:1]
PUNTEO N 1x1 in Quadra H40



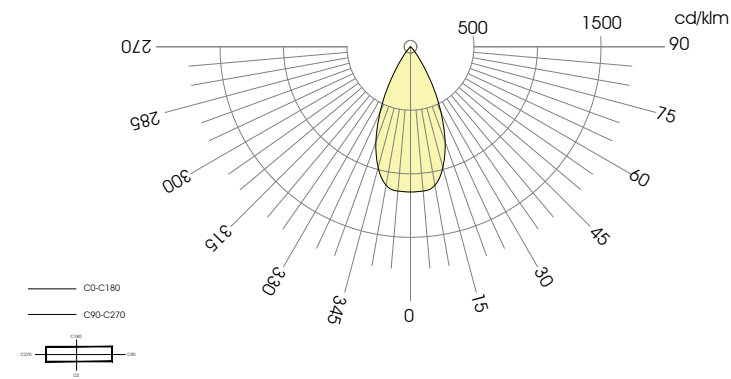
3D bottom view [M 1:2]
PUNTEO N 1x1 in Quadra H40



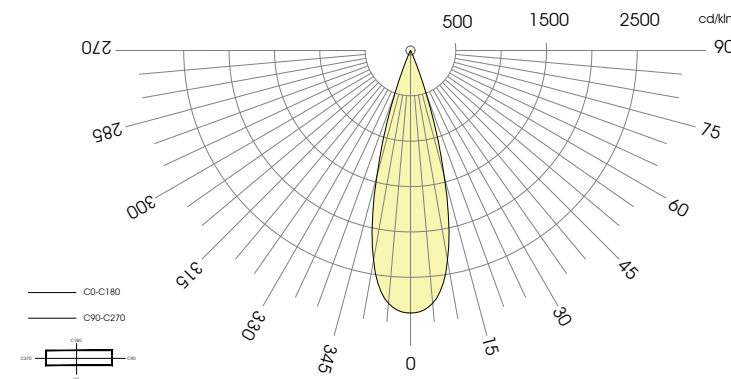
3D top view [M 1:2]
PUNTEO N 1x1 in Quadra H40



Light distribution curve [LDC]
PUNTEO N | Index "a" - 2 x 38°



Light distribution curve [LDC]
PUNTEO N | Index "b" - 2 x 20°



PUNTEO® N 1x1 - S 07

Point | Integration in Open Cell

High efficient LED Downlight with ellipsoid lens technique.
Light opening of only Ø 9 mm

Light distribution index:
: a - 2 x 38° | sym - beam | LOR 75 %
: b - 2 x 20° | sym - beam | LOR 70 %

Variation index in colour temperatur and power:
: 01 - 4.000 K | 8 W | 905 lm | CRI > 80
: 02 - 3.000 K | 8 W | 850 lm | CRI > 80
: 03 - 2.700 K / 5.000 K | 900 lm | 8 W | CRI > 80

Colour index [surface]:
: A - black [standard]
: B - white - RAL 9016, matt
: C - white - RAL 9010, matt

Assembly Dimension [see drawing S 07]:
: Tube [L x W] - 29 x 29 mm
: Heatsink [Ø] - 46 mm
: Minimum height - 69 mm

Protection class: II (standard)
Protection system: IP 20 (standard)

System S 07 - designed for :
Open Cell Ceiling [L x W x H]: 30 x 30 x 40 mm

Life Time:
Average L80 [Ta 25 °C] > 50.000 h

Power supply [to be ordered separately]:
Datasheet on request

Order number for example
5-PUN N 1X1 S07a 01 A

- 5-PUN N - order group for Punteo N
- 1X1 - single light fitting [1 "point"]
- S07 - System 07 - Pyramid cone for cell height 40 mm
- a - light distribution - 2 x 38°
- 01 - light colour - 4.000 K
- A - Colour - black

01	Housing with pyramid cone
02	Heatsink
03	Elliptic lens system
04	LED chip
05	Plug system to ballast [ballast separate item]
06	QUADRA - open cell ceiling
07	Mounting spring
08	...
09	...

Approved

