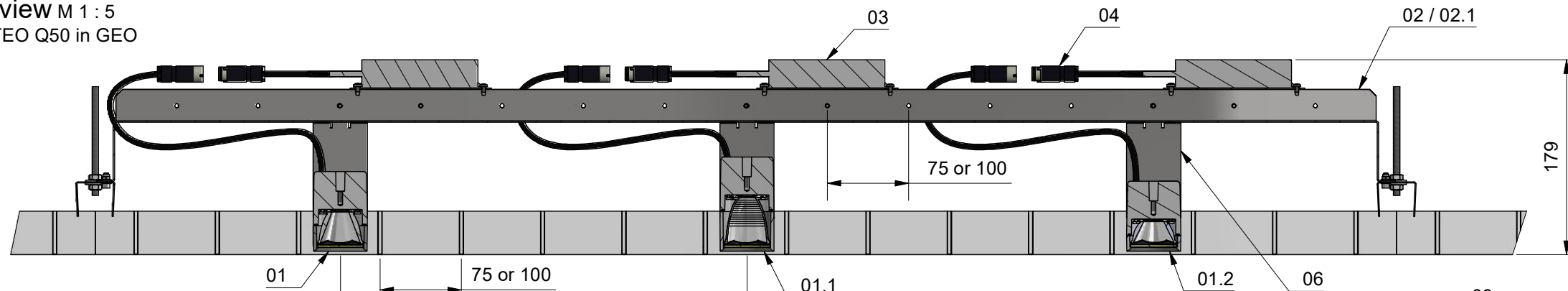
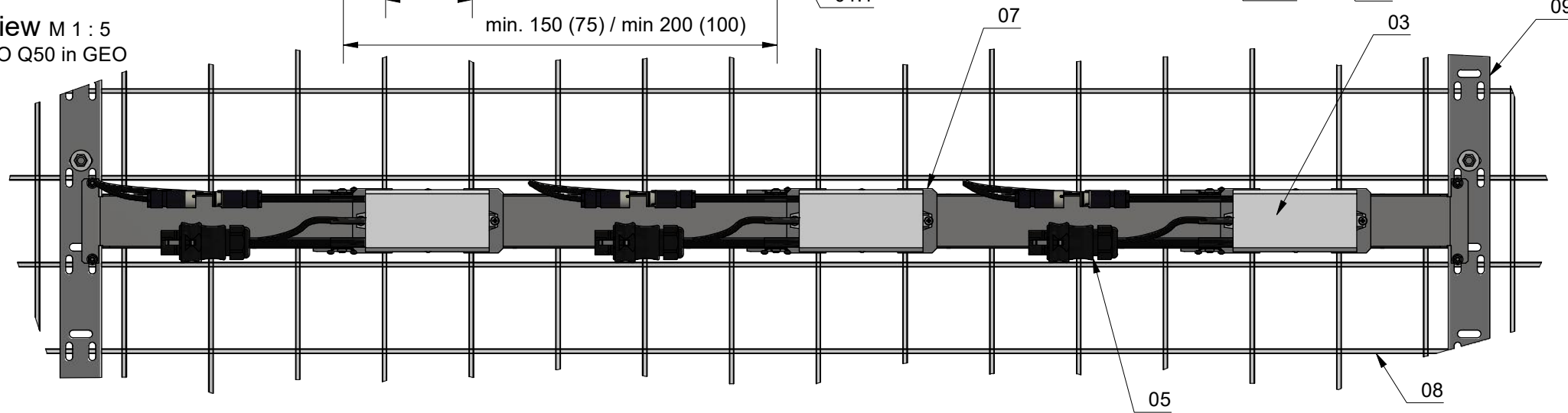


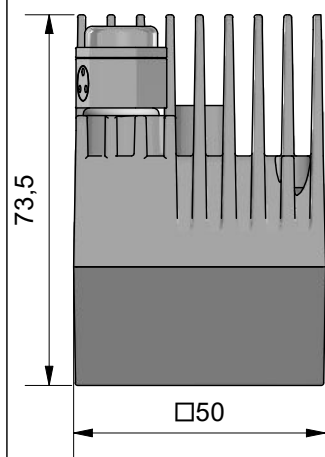
Cut view M 1 : 5
PUNTEO Q50 in GEO



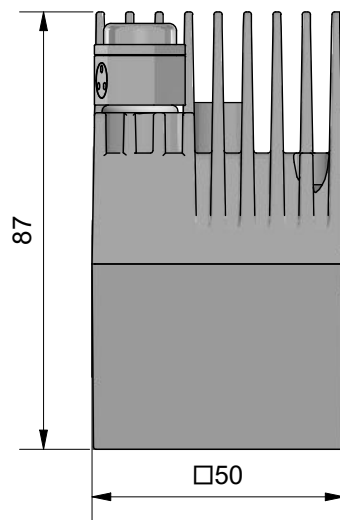
Top view M 1 : 5
PUNTEO Q50 in GEO



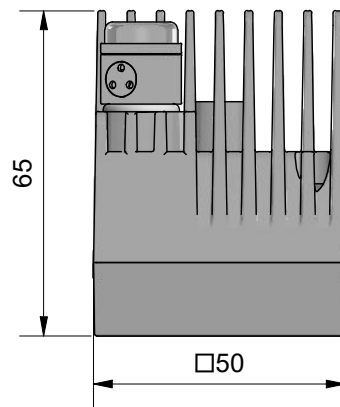
side view M 1:1,5
PUNTEO Q50 S03a 8x0 01



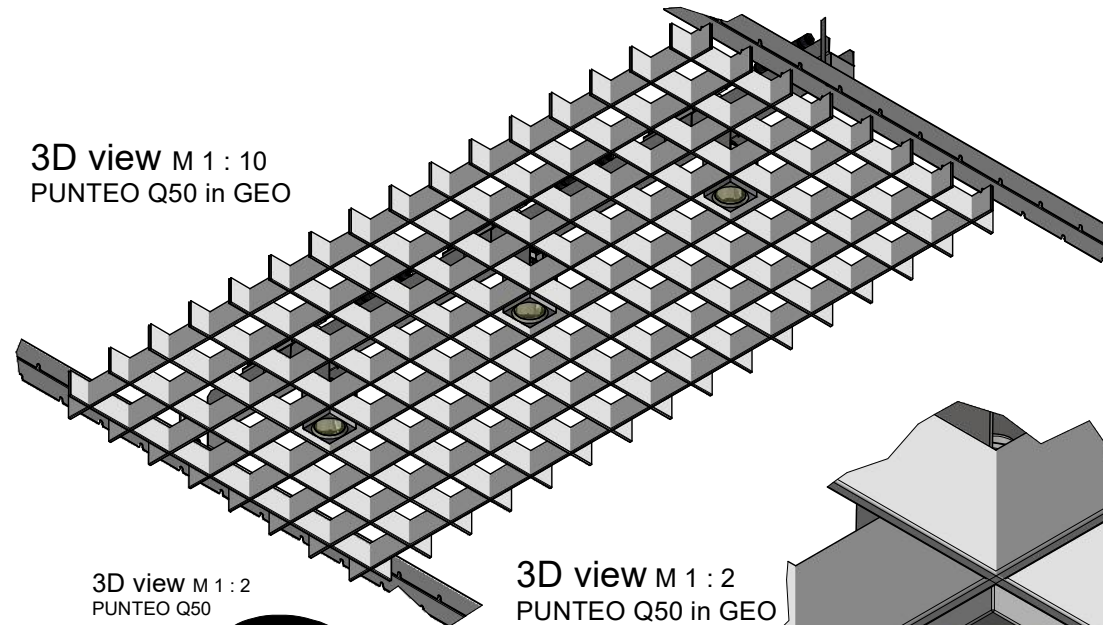
side view M 1:1,5
PUNTEO Q50 S03b 8x0 01



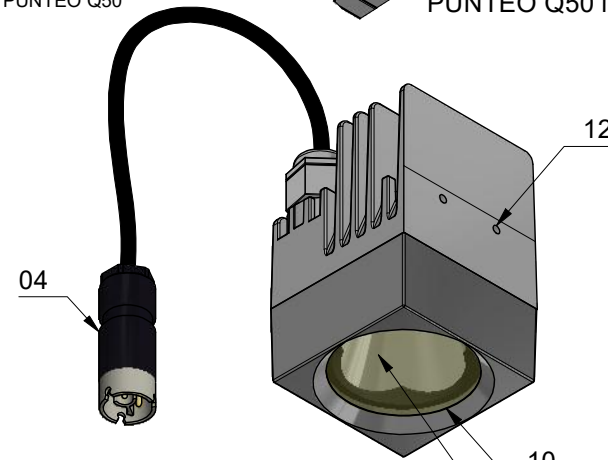
side view M 1:1,5
PUNTEO Q50 S03c 8x0 01



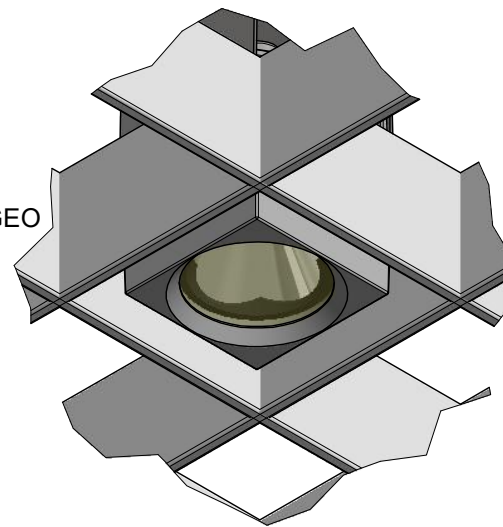
3D view M 1 : 10
PUNTEO Q50 in GEO



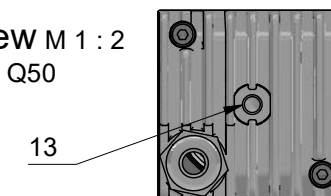
3D view M 1 : 2
PUNTEO Q50



3D view M 1 : 2
PUNTEO Q50 in GEO



Top view M 1 : 2
PUNTEO Q50



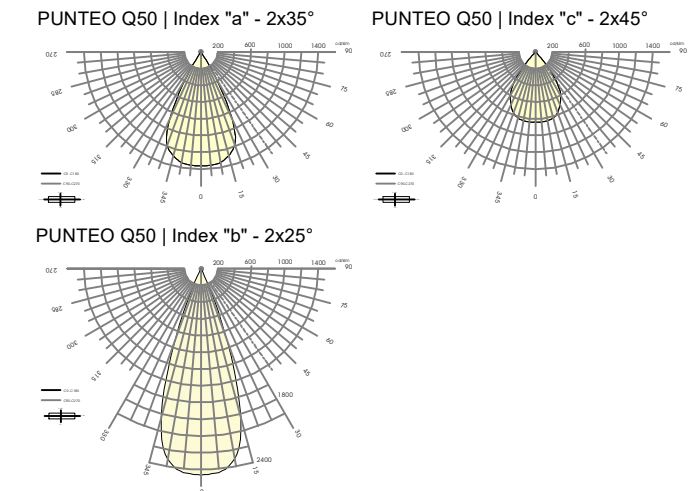
PUNTEO[®] - Q050 - S 03

POINT | Integration in GEO

LED downlight - see table - for perfect integration in durlum ceiling system GEO and other ceiling systems with coordinated opening.

| | |
|-----------------------|-------------------------|
| Protection class: | II |
| Degree of protection: | IP65 |
| Electric connection: | l=400mm to LED driver |
| Driver: | DALI - separate product |
| Weight: | ~ 0,3kg |

light distribution curve [LDC]



| | |
|------|---|
| 01 | PUNTEO Q50 housing "a" 2x35° |
| 01.1 | PUNTEO Q50 housing "b" 2x25° |
| 01.2 | PUNTEO Q50 housing "c" 2x45° |
| 02 | grid module 75mm [PUN Q50-QT075-01] |
| 02.1 | opt. grid module 100mm [PUN Q50-QT100-01] |
| 03 | driver separate position |
| 04 | secondary connector RST08i2 cod. pebble grey |
| 05 | primary connector RST20i5 cod. turquoise blue |
| 06 | carrier for PUNTEO Q50 |
| 07 | carrier for driver |
| 08 | GEO open ceiling |
| 09 | substructure for GEO open ceiling |
| 10 | glass cover |
| 11 | reflector PUNTEO J060 family |
| 12 | drilling holes for carrier |
| 13 | direct mount thread M5 |

Technik Stand 2023 - 03

(techn. Angaben bei Vollast)

| | PUN Q050 S03a 840 01 | PUN Q050 S03b 840 01 | PUN Q050 S03c 840 01 |
|---|--|--|--|
| Order number - 4.000 K | PUN Q050 S03a 840 01 | PUN Q050 S03b 840 01 | PUN Q050 S03c 840 01 |
| Order number - 3.000 K | PUN Q050 S03a 830 01 | PUN Q050 S03b 830 01 | PUN Q050 S03c 830 01 |
| L x W x Height [mm] | 50 x 50 x 73,5 | 50 x 50 x 87 | 50 x 50 x 65 |
| Surface | black | black | black |
| Weight [kg - ca.] : | 0,3 | 0,3 | 0,3 |
| Light distribution : | 2 x 35° | 2 x 25° | 2 x 45° |
| Colour rendering index CRI | > 80 | > 80 | > 80 |
| LED lumen [@ 350mA] | 1860 lm @ 4.000 K 1779 lm @ 3.000 K | 1860 lm @ 4.000 K 1779 lm @ 3.000 K | 1860 lm @ 4.000 K 1779 lm @ 3.000 K |
| Light output ratio - LOR [%] | 85% | 80% | 90% |
| Total power [W] | 14 | 14 | 14 |
| Dali addresses / LED-Treiber | 1 / 1 | 1 / 1 | 1 / 1 |
| LED driver per circuit breaker @ 16 A - B | 45 | 45 | 45 |

This drawing is passed on with all rights reserved to durlum and must ONLY be used for common purpose projects. Transmission to third parties especially competitors is prohibited! durlum GmbH

Electrical connection may only be carried out by qualified personnel

Please refer to the general instructions for the operation

| | | |
|--|---|--|
| Approved: | | |
| DIN ISO 9001 certified quality management system Reg. No. 79 100 M 001 | | |
| POINT PUNTEO Q050 S03 durlum technical documents | | durlum GmbH 79650 Schopfheim Germany Tel. 0049 7822 39050 Email info@durlum.de |
| date drw. 01.03.2023 rev. M % | name plindner integration in GEO open ceiling PUN Q050 S03x 8x0 01 | |