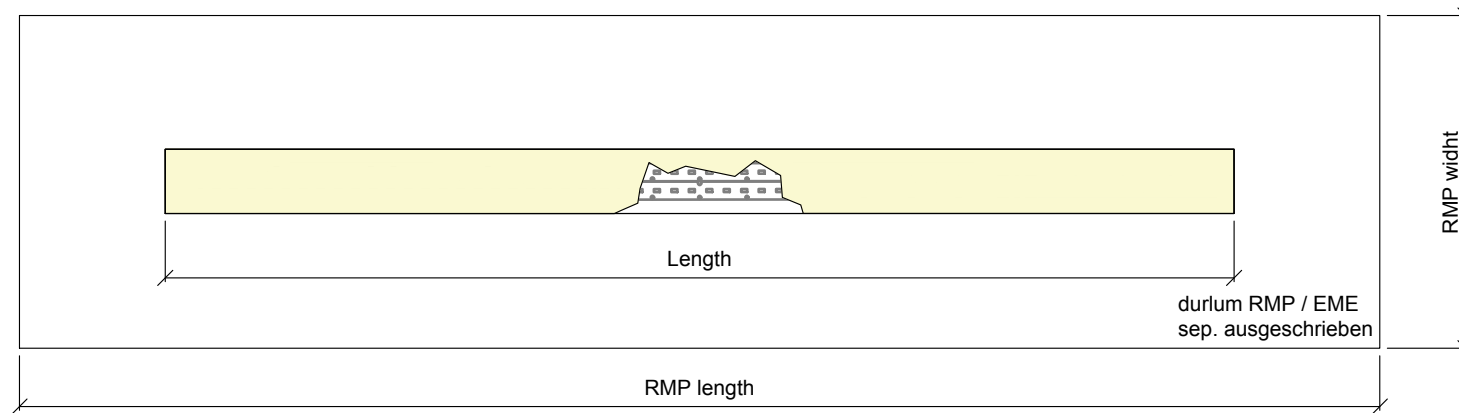
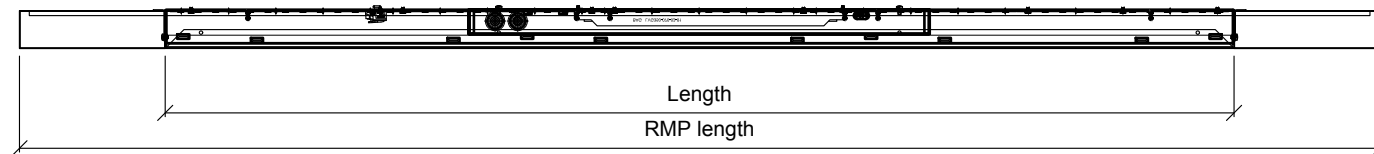


TANGENTA C85 in rectangular metal panel M 1:10

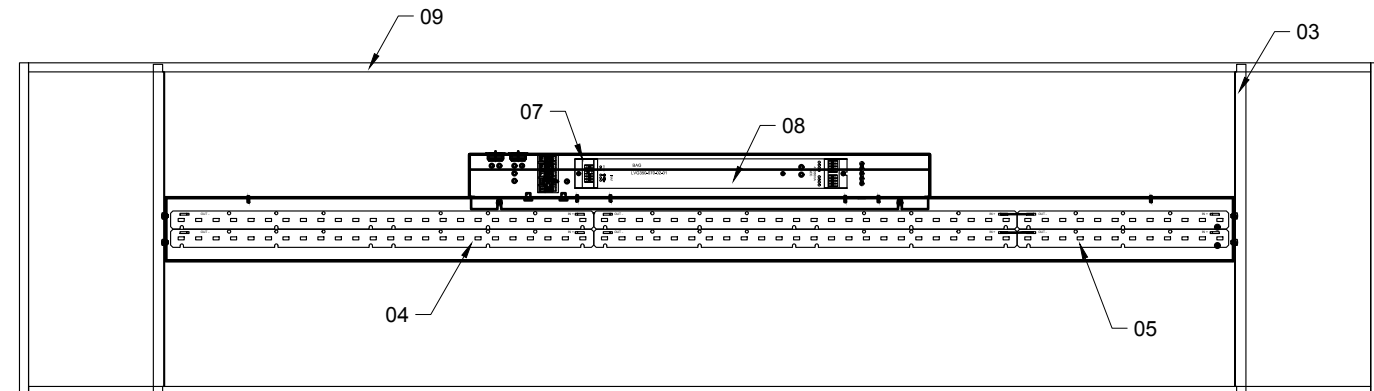
View from below



longitudinal view

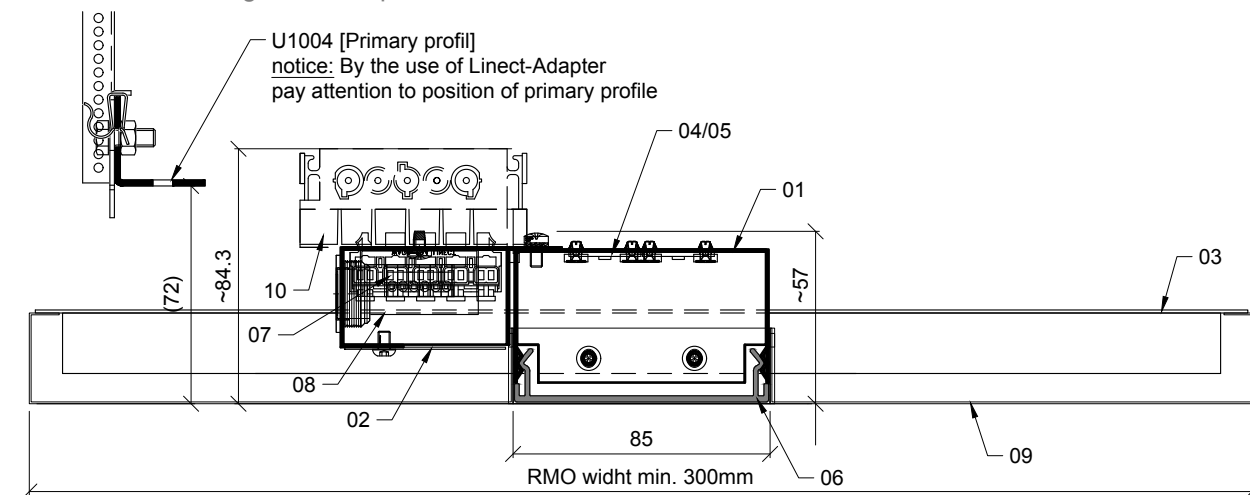


View from above



Section view

Installation in rectangular metal panel



TANGENTA C85®

Line | Linear luminare

TANGENTA-C85 | Linear luminare

Lineare luminare as metal ceiling system

Cover: diffuse, microprim clear, microprism diffuse
 Surface: white, powder-coated not visible from below
 Light distribution: wide beaming

Ceiling cut-out: installed in durlum metal ceiling system at factory

Protection class: I
 Protection system: IP 20

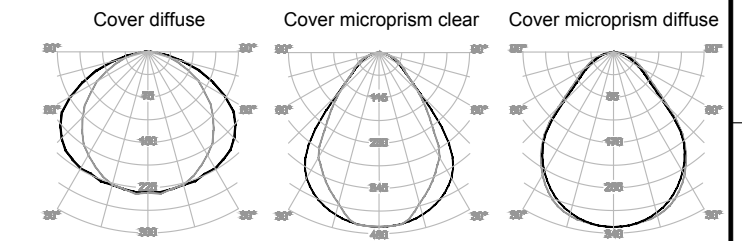
Electrical connection: 230V AC / 50 Hz + DALI

5 pole connection terminal + Linect ready

Inc. driver - DALI dimmable [1 DALI-adress]

Not included in the price:
 Linect adapter
 Metal ceiling system and integration

Light distribution curve [LDC]



TECHNICAL INFORMATIONEN			
Artikel-Nr. (diffus)	1445-030-854-4-3	1445-030-1k1-4-3	1445-030-1k4-4-3
Artikel-Nr. (mikroprismatik klar)	1446-030-854-4-3	1446-030-1k1-4-3	1446-030-1k4-4-3
Artikel-Nr. (mikroprismatik diffus)	1447-030-854-4-3	1447-030-1k1-4-3	1447-030-1k4-4-3
Lichtfarbe [K] / CRI	4000 / >80	4000 / >80	4000 / >80
Lichtstrom LED [lm]	3746	4995	6244
Artikel-Nr. (diffus)	1445-030-854-3-3	1445-030-1k1-3-3	1445-030-1k4-3-3
Artikel-Nr. (mikroprismatik)	1446-030-854-3-3	1446-030-1k1-3-3	1446-030-1k4-3-3
Artikel-Nr. (mikroprismatik diffus)	1447-030-854-3-3	1447-030-1k1-3-3	1447-030-1k4-3-3
Lichtfarbe [K] / CRI	3000 / >80	3000 / >80	3000 / >80
Lichtstrom LED [lm]	3561	4749	5936
Länge [mm]	854	1134	1414
Breite [mm]	85	85	85
Höhe [mm]	57	57	57
Anschlussleistung [W]	27	36,5	45,5
Gewicht [kg]	2,8	3,5	4,9

01	Light fitting
02	connection plate
03	RMP cross bracing of 400mm upwards panel width
04	LED stripe L=560mm
05	LED stripe L=280mm
06	Cover PMMA
07	5 pole connection terminal + Linect ready
08	LED driver
09	Rectangular panel "to define"
10	optionally aviable LINECT ADAPTER
11	...

Approved

This drawing is passed on with all rights reserved to durlum, and must ONLY be used for common purpose projects. Transmission to third parties especially competitors is prohibited! durlum GmbH, Schopfheim, Germany

Please refer to the general instructions for the operation

DIN ISO 9001 certified system Reg. No. 23 388 031		Lineare luminare with cover diffuse TANGENTA C 85 durlum technical documents		
date	name			
gez. 17.10.2019	SE			durlum GmbH 79650 Schopfheim Germany
Maßstab	Format A3	Nummer	TANGENTA C85-S01_D	Tel. 0049 7622 39050 Email info@durlum.de