



CEILING  
LIGHTING  
AMBIENCE

---



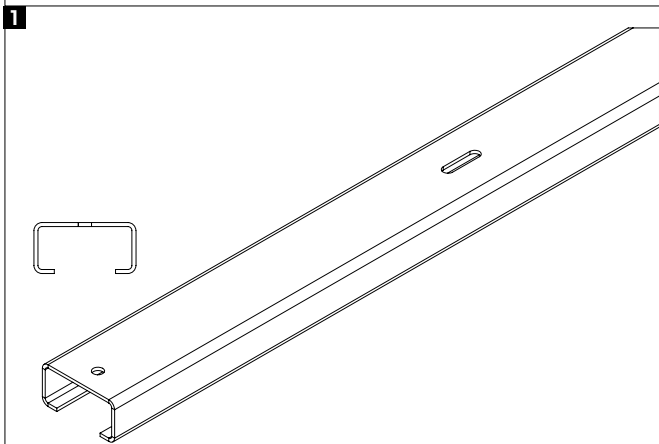
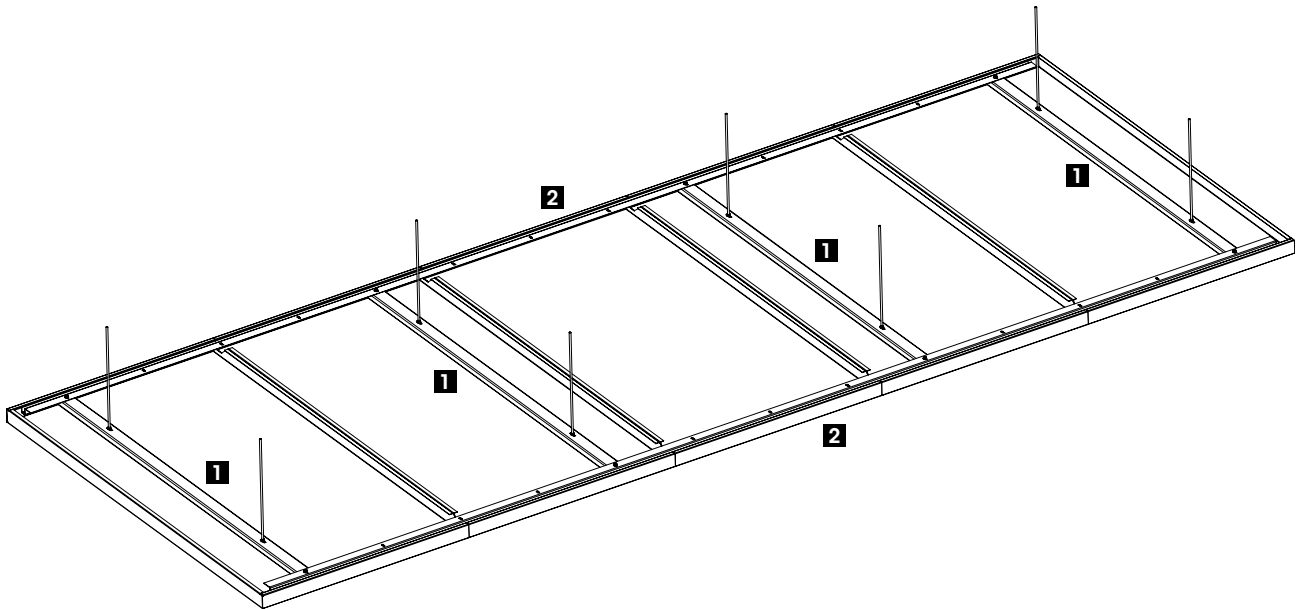
# DUR-SOLO TYPE 4

RAFT CEILING

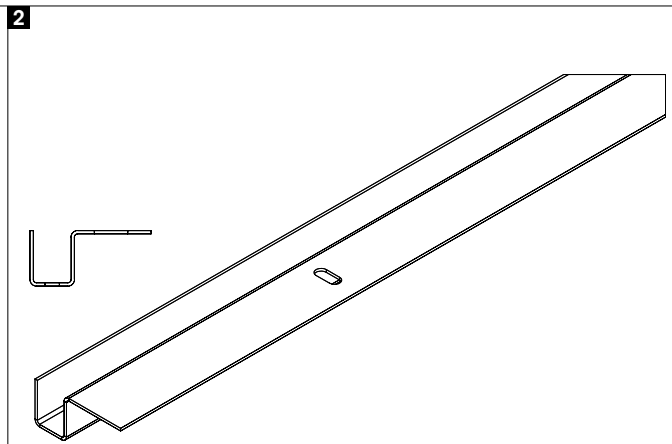
PRODUCT DATA SHEET

# DUR-SOLO TYPE 4

## RAFT CEILING



Transverse braces for dur-SOLO type 4



U1020 suspension profile with regular perforation | Individual length 4000mm

RAFT CEILING

dur-SOLO type 4 is the most variable raft ceiling from durlum. Assembled from any desired number of panels, there are hardly any limits to its design. Its versatility makes dur-SOLO type 4 suitable as chilled ceiling in offices and for renovations or organic building shapes and the like. In addition, they can be ideally combined with concrete-core-activated ceilings. If desired, the rafts can be designed sound-proof and sound-absorbing and printed with visuals.

With their panel size of 1 250x3 600mm and different materials and surface finishes, the dur-SOLO type 4 raft ceilings excel with their extremely flexible design options. Their invisible suspension integrated into the rafts emphasizes the gravity-free character of dur-SOLO and makes for easy assembly. According to your needs, the raft ceilings can also be designed hinged.

**SURFACES**

**Surface finish and printing**

The galvanized sheet steel and aluminium can be powder-coated white matt to RAL 9010 or according to customer specifications. The coating thickness is approx. 60µm. The aluminium can also be supplied coil anodized or mirror polished. Stainless steel raft ceilings are available brushed or mirror polished. The powder-coated sheets can also be printed with visuals and textures of your choice. The thickness of the material depends on the static requirements.

**Panel size**

Length: ≤ 3 600mm  
Width: ≤ 1 250mm

**PERFORATIONS AND ACOUSTICS**

durlum offers the RG-L 15 perforation as standard. This perforation and others can be found at [www.durlum.com](http://www.durlum.com). As standard, sound absorption is effected with black durlum acoustic fleece [ $\alpha_w$  = approx. 0.73].

**FIRE PROTECTION CLASSIFICATION**

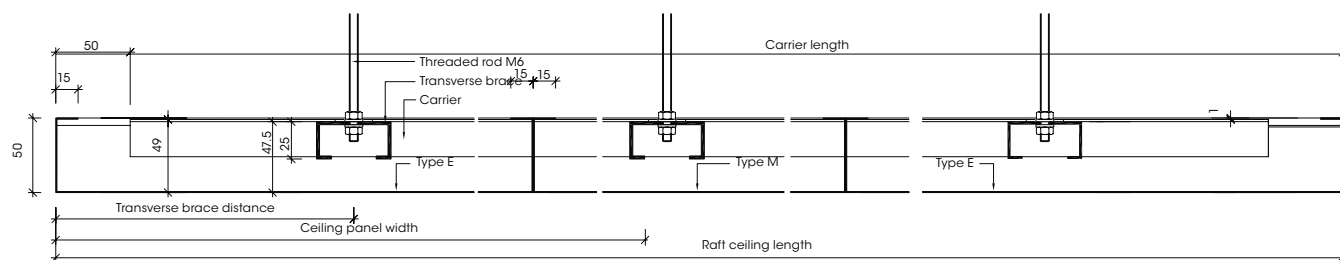
As standard, durlum supplies the panels non-perforated or perforated and non-flammable as DEFEO with brand protection class A2-s1, d0.

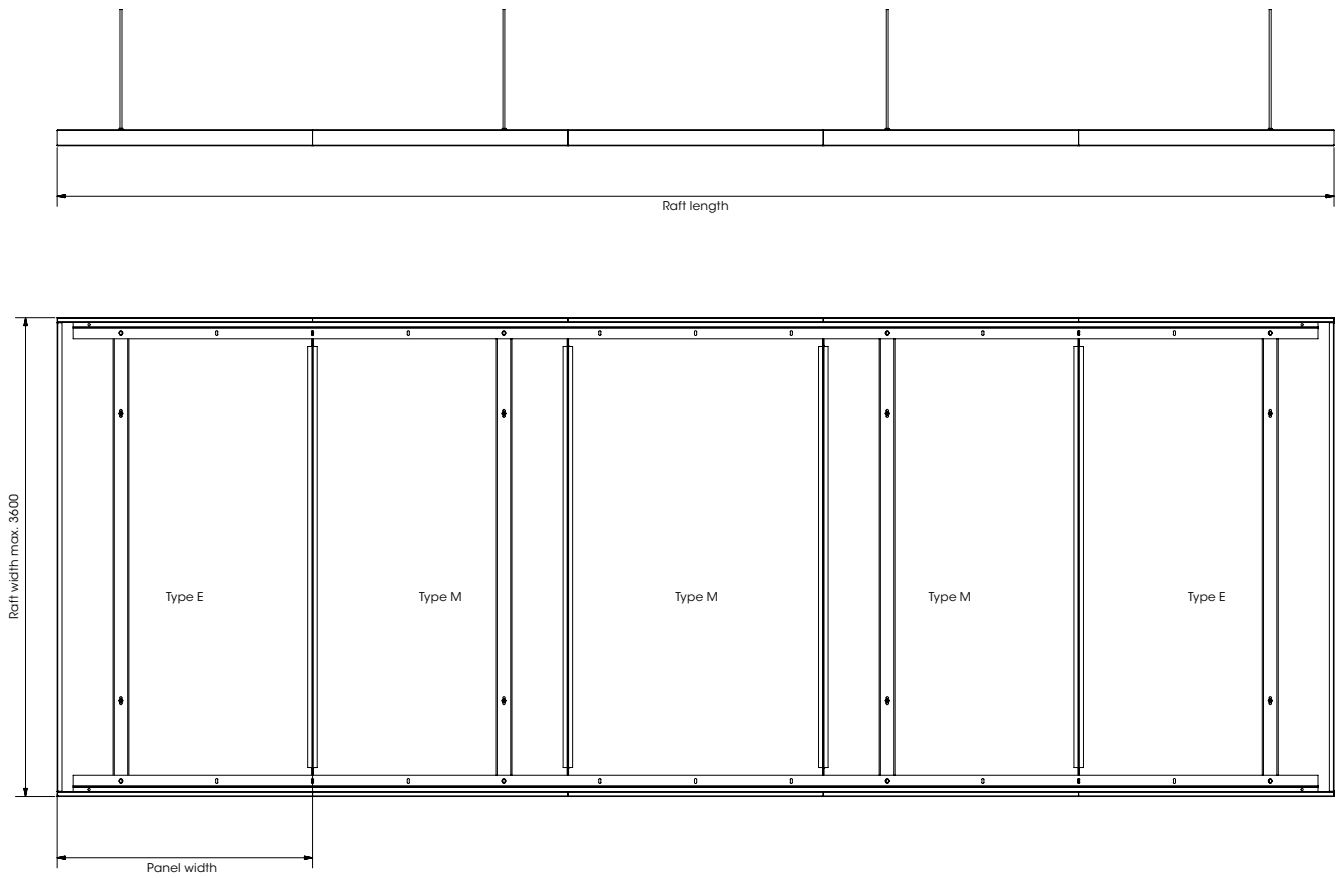
The sheet steel raft ceilings can be supplied non-flammable as DEFEO PLUS [A1].

**GREEN BUILDING**

Our products ensure that a building achieves compliance with the LEED® or DGNB® standard. For example, in many categories, our metal ceiling and lighting systems make a positive contribution towards compliance with these requirements, such as in the fields of recycling, surface quality or thermal and visual comfort. Visit our website for more details about GREEN BUILDING and the contribution of our products towards building certification. Our consultancy team will be pleased to advise you on the specifics of environmental planning right across our product range. Your questions are welcome: [green-building@durlum.de](mailto:green-building@durlum.de).

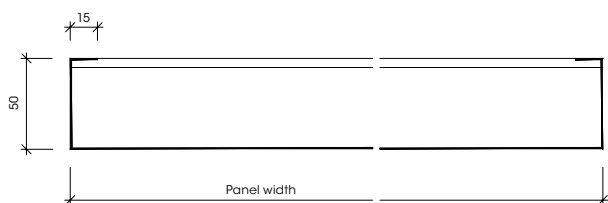
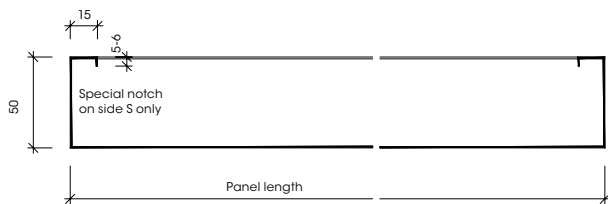
**SYSTEMDETAILS**



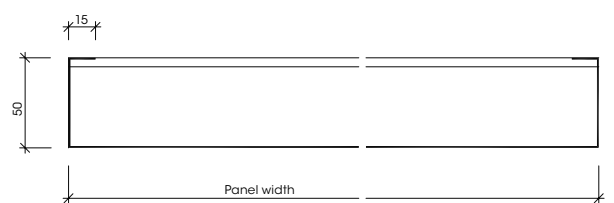
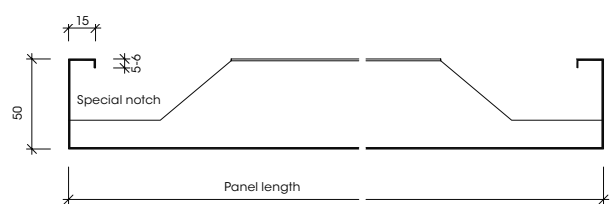


**PANEL DESIGN**

**TYPE E**



**TYPE M**



## SPECIAL OPTION UPON REQUEST

### Air-conditioning

dur-SOLO can be used as chilled ceiling whose level of cooling depends on variables such as the size and number of single panels, and the ratio of the active area to the inactive area.

## INSTALLATION

dur-SOLO is hung force-fitted and tension-free in a special suspension that must have been released by the manufacturer of the raft ceiling. Tool-free dismounting is guaranteed. The suspension consists of two U1020 suspension profiles screwed down by means of transverse braces. Each transverse brace is suspended rigidly from the bare ceiling with threaded rods using officially approved dowels.

### Please note

The installation must be executed in accordance with the installation instructions. They are available for download at [www.durlum.com](http://www.durlum.com).

## TECHNICAL STANDARDS

The components comply with DIN EN 13964, ASTM C635 and ASTM E1264. Production complies with the TAIM and CISCA directives. The durlum factory standards, as well as quality, are checked by the German Technical Control Board called TÜV and tested according to ISO 9001: 2008 and ISO 14001: 2004.

## CLEANING

For lasting durability, Durlum ceiling panels are electrostatically powder-coated with polyester as standard. Coated surfaces must always be cleaned using clean gloves. First clean the ceiling panels using a soft, dry cloth. If dirt cannot be removed, the cloth can be moistened with a ph neutral household cleaner. Contact of the powder coating with both alkaline and acid substances must be avoided. Compared to our standard coatings, metallic powder coatings react in a different and more sensitive way to cleaning agents. Due to the risk of a colour change, a test should be carried out to prove the suitability of all metallic coatings.

More information: [www.durlum.com](http://www.durlum.com)



CEILING

LIGHTING

**AMBIENCE**

---

DECKE LICHT RAUM

**durlum GmbH** | An der Wiese 5 | D-79650 Schopfheim

T +49 (0) 76 22 | 39 05-0

E [info@durlum.com](mailto:info@durlum.com)

I [www.durlum.com](http://www.durlum.com)